



STEEL PIPES 鋼管 スパナ溝付タイプ

CADデータフォルダ名: 51_Pipes_Fitting_Valves

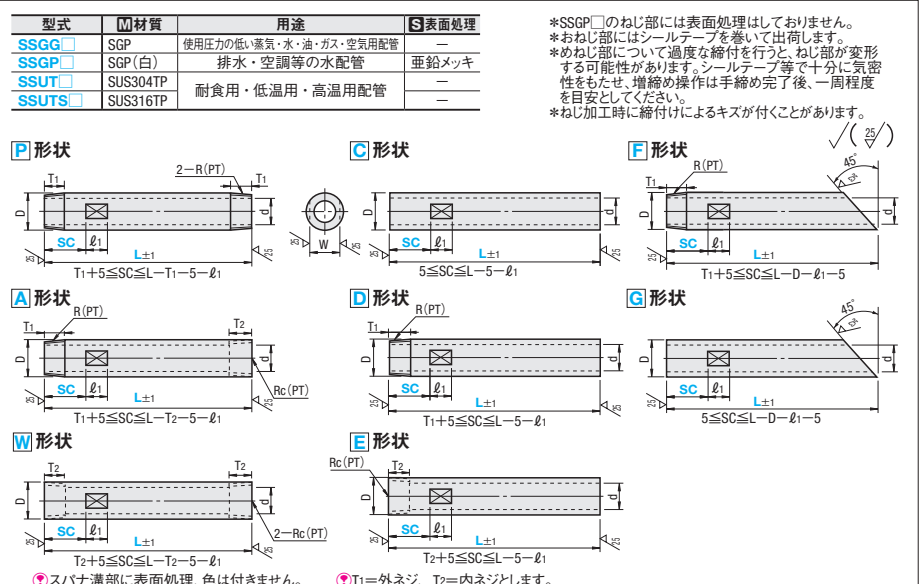


Table with columns for Type, Shape, No., Coating, L, SC, W, R, T1, T2, SSGG, SSGP, SSUT, SSUTS.

Order and delivery information including form fields for type, coating, length, and delivery date.

Main price table for steel pipes with columns for Type, No., Price, and various dimensions.

HEAT / COLD RESERVING PIPE COVERS L-SHAPED ANGLES FOR STEEL PIPES 保温・保冷用配管カバー/配管用L型アングル

CADデータフォルダ名: 51_Pipes_Fitting_Valves

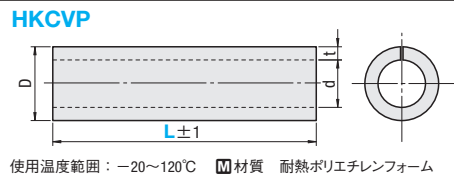


Table for HKCVP with columns for Type, No., L, D, d, t, and prices.

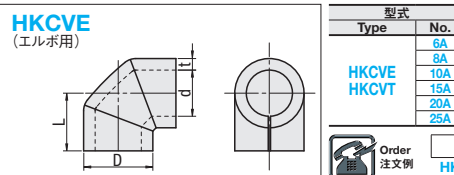


Table for HKCVC with columns for Type, No., D, d, t, L, A, B, and prices.

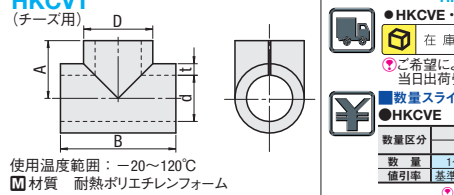


Table for HKCVT with columns for Type, No., D, d, t, L, A, B, and prices.

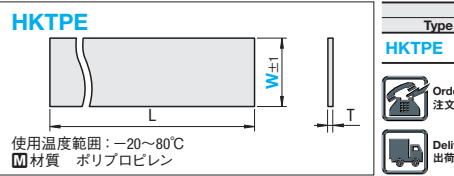


Table for HKTPE with columns for Type, W, L, T, and prices.

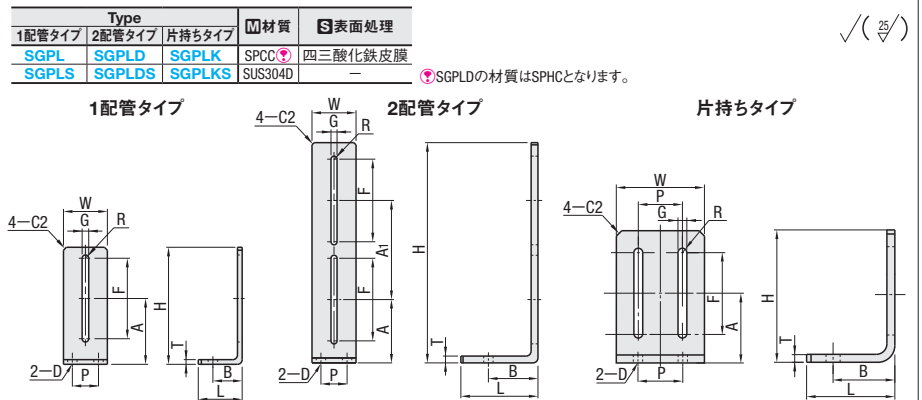


Table for L-shaped angles with columns for Type, U-bolt size, SGPL, SGPLS, SGPLD, SGPLDS, SGPLK, SGPLKS, and prices.

51 管・継手