



MILLED PLATES MOUNTING SHEET METALS/BRACKETS-SIDE TAP TYPE-

6面フライス 取付板・ブラケット

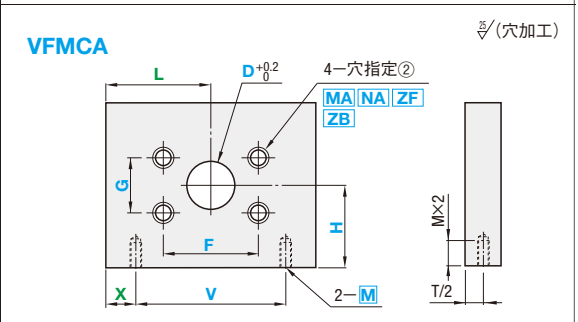
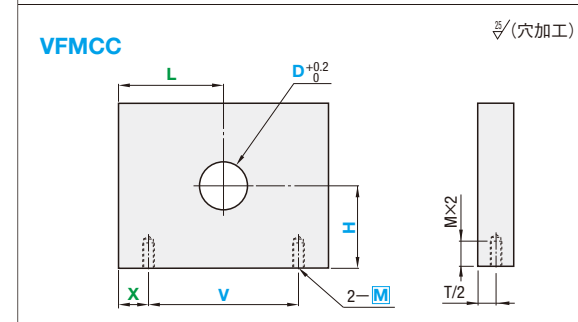
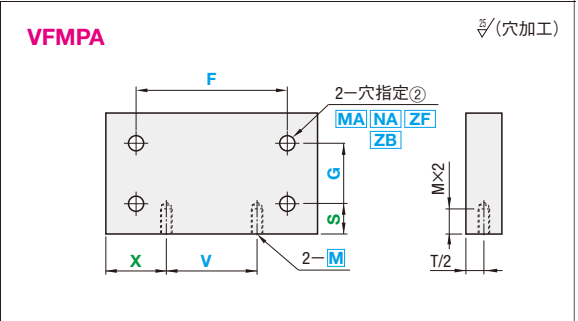
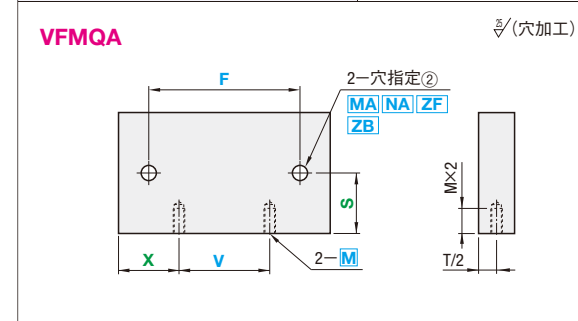
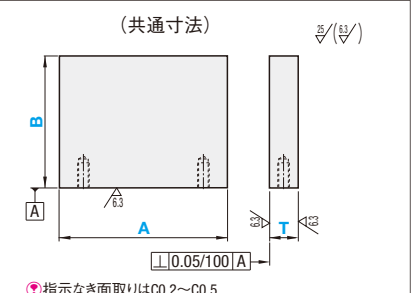
一側面穴付タイプ



CADデータフォルダ名: 59_Brackets



型式	材質記号	M材質	S表面処理
Type	材質記号	M材質	S表面処理
VFMQA	SC	S45C	四三酸化鉄皮膜
VFMQA	SCB	S45C	無電解ニッケルメッキ
VFMQA	SCM	S45C	—
VFMQA	AM	A5052	アルマイト処理(白)
VFMQA	AMW	A5052	アルマイト処理(黒)
VFMQA	AMB	A5052	—
VFMQA	SU	SUS304	—



●緑色のパラメータは省略可能です。省略した場合、センターに対して均等配置になります。(P.1720参照)

Type	材質記号	指定0.1mm単位	X	V	穴指定①	L	H	D	F	S	G	穴指定②
VFMQA	SC	30.0	10.0	5.0	M	0	指定	3~30	指定	—	—	0
VFMQA	SCB	150.0	150.0	20.0	M	3, 4	0.1mm	0.5mm単位	—	—	—	3, 4
VFMQA	SCM	20.0	20.0	20.0	M	5, 6	単位	31~100	—	—	—	5, 6
VFMQA	AM	150.0	150.0	10.0	M	8, 10	単位	(1mm単位)	—	—	—	8, 10
VFMQA	AMW	150.0	150.0	20.0	M	—	単位	—	—	—	—	12, 16
VFMQA	AMB	150.0	150.0	20.0	M	—	単位	—	—	—	—	—
VFMQA	SU	150.0	150.0	20.0	M	—	単位	—	—	—	—	—

Order 注文例: VFMQA - AM - A50 - B30 - T5 - X10 - V30 - M4 - L40 - H45 - D15 - F40 - S20 - G - MA4

Delivery 出荷日: 3日発送 (SC・AM・SU), 5日発送 (SCB・SCM), 7日発送 (AMW・AMB)

●側面タップ径別 最小板厚

M呼び径	最小板厚T
3	5
4	5.6
5	6.6
6	8
8	10
10	12

●加工仕様
①正面穴と側面タップが干渉してもそのまま加工します。但し、干渉した場合はバリ等が残る可能性があります。

●加工限界
穴と穴、穴と端面の肉厚に加工限界があります。(例: 右図b部) 限界値はP.1719参照

●穴種選択表

穴種	タップ穴	ボルト通し穴	ザグリ表	ザグリ裏
Code	M・MA	NA	ZF	ZB
形状図				
加工仕様	タップ有効長最大M・MA×2	—	—	—

Price 価格

数量	1	2~3	4~7	8~10	11~30	31以上
値引率	—	5%	10%	15%	20%	—
出荷日	—	—	通常	—	+2日	—

■数量スライド価格 (P.1719未掲載) P.89

A	B	T	本体価格 ¥基準単価															
			VFMQA						VFMCA									
30.0	10.0	50.0	5.0~7.0	2,090	2,200	2,270	1,850	2,000	2,040	2,870	2,310	2,420	2,490	2,090	2,240	2,280	3,230	
			7.1~10.0	2,200	2,310	2,470	2,020	2,250	2,320	3,170	2,420	2,530	2,690	2,260	2,490	2,560	3,530	
			10.1~15.0	2,310	2,420	2,580	2,100	2,340	2,400	3,520	2,640	2,800	2,800	2,340	2,580	2,640	3,880	
	50.1	100.0	5.0~7.0	2,430	2,560	2,750	2,170	2,450	2,530	3,640	2,650	2,780	2,970	2,410	2,690	2,770	4,000	
			7.1~10.0	2,240	2,350	2,420	2,020	2,170	2,210	3,230	2,460	2,570	2,740	2,640	2,410	2,450	3,590	
			10.1~15.0	2,300	2,410	2,570	2,050	2,280	2,350	3,810	2,520	2,630	2,790	2,290	2,520	2,590	4,170	
	100.1	150.0	5.0~7.0	2,410	2,520	2,680	2,340	2,580	2,640	4,200	2,630	2,740	2,900	2,580	2,800	2,880	4,560	
			7.1~10.0	2,530	2,660	2,850	2,500	2,780	2,860	4,680	2,750	2,880	3,070	2,740	3,020	3,100	5,040	
			10.1~15.0	2,310	2,420	2,550	2,190	2,390	2,460	3,580	2,530	2,640	2,770	2,430	2,630	2,700	3,940	
	50.1	10.0	50.0	5.0~7.0	2,420	2,530	2,690	2,340	2,580	2,640	4,070	2,640	2,750	2,910	2,580	2,820	2,880	4,430
				7.1~10.0	2,570	2,730	2,980	2,590	2,940	3,040	5,000	2,790	2,950	3,200	2,530	3,180	3,280	5,360
				10.1~15.0	2,700	2,880	3,160	2,840	3,240	3,350	5,650	2,920	3,100	3,380	3,080	3,480	3,560	6,010
50.1		100.0	5.0~7.0	2,090	2,240	2,290	1,900	2,070	2,120	3,230	2,920	3,100	3,260	2,510	2,140	2,310	3,690	
			7.1~10.0	2,360	2,510	2,670	2,050	2,310	2,400	3,530	2,580	2,730	2,890	2,290	2,550	2,640	3,890	
			10.1~15.0	2,580	2,760	3,040	2,340	2,740	2,860	4,440	2,800	2,980	3,260	2,580	2,980	3,100	4,800	
100.1		150.0	5.0~7.0	2,700	2,910	3,250	2,500	2,980	3,120	4,970	2,920	3,130	3,470	2,740	3,220	3,360	5,330	
			7.1~10.0	2,420	2,570	2,620	2,300	2,470	2,520	3,940	2,640	2,790	2,840	2,540	2,710	2,760	4,300	
			10.1~15.0	2,550	2,700	2,860	2,460	2,720	2,810	4,520	2,770	2,920	3,080	2,700	2,960	3,050	4,880	
100.1		50.1	100.0	5.0~7.0	2,840	3,020	3,300	2,840	3,240	3,360	5,510	3,060	3,240	3,520	3,080	3,480	3,600	5,870
				7.1~10.0	2,960	3,170	3,510	3,160	3,640	3,780	6,500	3,180	3,390	3,730	3,400	3,880	4,020	6,860
				10.1~15.0	2,820	2,970	3,130	2,390	2,650	2,740	4,620	3,040	3,190	3,350	2,630	2,890	2,960	4,980
	100.1	150.0	5.0~7.0	2,970	3,150	3,430	2,840	3,240	3,360	5,510	3,190	3,370	3,650	3,080	3,480	3,600	5,870	
			7.1~10.0	3,260	3,540	3,970	3,330	3,920	4,120	7,000	3,480	3,760	4,190	3,570	4,160	4,360	7,360	
			10.1~15.0	3,410	3,740	4,250	3,830	4,530	4,770	8,480	3,630	3,960	4,470	4,070	4,770	5,010	8,840	
	150.0	100.0	5.0~7.0	2,480	2,630	2,790	2,190	2,450	2,540	3,580	2,700	2,850	3,010	2,430	2,690	2,780	3,940	
			7.1~10.0	2,580	2,760	3,040	2,340	2,740	2,860	4,030	2,800	2,980	3,260	2,580	2,980	3,100	4,390	
			10.1~15.0	2,740	3,020	3,450	2,590	3,180	3,380	5,190	2,960	3,240	3,670	2,830	3,420	3,620	5,550	
	150.0	150.0	5.0~7.0	2,900	3,230	3,740	2,840	3,540	3,780	5,880	3,120	3,450	3,960	3,080	3,780	4,020	6,240	
			7.1~10.0	2,890	3,040	3,200	2,330	2,590	2,680	4,620	3,110	3,260	3,420	2,570	2,830	2,920	4,980	
			10.1~15.0	2,980	3,160	3,440	2,840	3,240	3,360	5,510	3,200	3,380	3,660	3,080	3,480	3,600	5,870	

■数量スライド価格 (P.1719未掲載) P.89

A	B	T	本体価格 ¥基準単価															
			VFMCC						VFMCA									
30.0	30.0	50.0	10	2,750	2,860	2,910	2,100	2,330	2,400	3,590	2,970	3,080	3,130	2,600	2,830	2,900	4,310	
			10.1~15.0	2,860	2,970	3,020	2,180	2,420	2,480	3,940	3,080	3,190	3,240	2,680	2,920	2,980	4,660	
			15.1~20.0	2,980	3,110	3,170	2,250	2,530	2,610	4,060	3,200	3,330	3,390	2,760	3,030	3,110	4,780	
	50.1	100.0	10	2,850	2,960	3,010	2,130	2,360	2,430	4,230	3,070	3,180	3,230	2,630	2,860	2,930	4,950	
			10.1~15.0	2,960	3,070	3,120	2,420	2,660	2,720	4,620	3,180	3,290	3,340	2,920	3,160	3,220	5,340	
			15.1~20.0	3,080	3,210	3,270	2,580	2,860	2,940	5,100	3,300	3,430	3,490	3,080	3,360	3,440	5,820	
	100.1	150.0	10	2,970	3,080	3,130	2,420	2,660	2,720	4,490	3,190	3,300	3,350	2,920	3,160	3,220	5,210	
			10.1~15.0	3,120	3,280	3,370	2,670	3,020	3,120	5,420	3,340	3,500	3,590	3,170	3,520	3,620	6,140	
			15.1~20.0	3,250	3,430	3,530	2,920	3,320	3,430	6,070	3,470	3,650	3,750	3,420	3,820	3,930	6,790	
	50.1	30.0	50.0	10	2,910	3,060	3,070	2,130	2,390	2,480	3,950	3,130	3,280	3,290	2,630	2,890	2,980	4,670
				10.1~15.0	3,130	3,310	3,410	2,420	2,820	2,940	4,860	3,350	3,530	3,630	2,920	3,320	3,440	5,580
				15.1~20.0	3,250	3,460	3,580	2,580	3,060	3,200	5,390	3,470	3,680	3,810	3,080	3,560	3,700	6,110
50.1		100.0	10	3,100	3,250	3,260	2,540	2,800	2,890	4,940	3,320	3,470	3,480	3,040	3,300	3,390	5,660	
			10.1~15.0	3,390	3,570	3,670	2,920	3,320	3,440	5,930	3,610	3,790	3,890	3,420	3,820	3,940	6,650	
			15.1~20.0	3,510	3,720	3,850	3,240	3,720	3,860	6,920	3,730	3,940	4,070	3,740	4,220	4,360	7,640	
100.1		150.0	10	3,520	3,700	3,800	2,920	3,320	3,440	5,930	3,740	3,920	4,020	3,420	3,820	3,940	6,650	
			10.1~15.0	3,810	4,090	4,240	3,410	4,000	4,200	7,420	4,030	4,310	4,460	3,910	4,500	4,700	8,140	
			15.1~20.0	3,960	4,290	4,470	3,910	4,610	4,850	8,900	4,180	4,510	4,690	4,410	5,110	5,350	9,620	
150.0		100.0	10	3,130	3,310	3,410	2,420	2,820	2,940	4,450	3,350	3,530	3,630	2,920	3,320	3,440	5,170	
			10.1~15.0	3,290	3,570	3,720	2,670	3,260	3,460	5,610	3,510	3,790	3,940	3,170	3,760	3,960	6,330	
			15.1~20.0	3,450	3,780	3,960	2,920	3,620	3,860	6,300	3,670	4,000	4,180	3,420	4,120	4,360	7,020	
150.0	150.0	10	3,530	3,710	3,810	2,920	3,320	3,440	5,930	3,750	3,930	4,030	3,420	3,820	3,940	6,650		
		10.1~15.0	3,710	3,990														