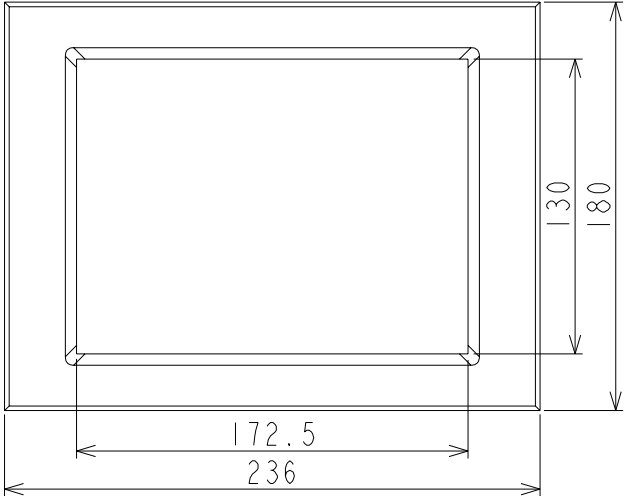


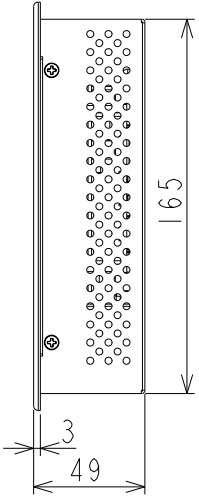
PCFP-MV8-R

(単位: mm)

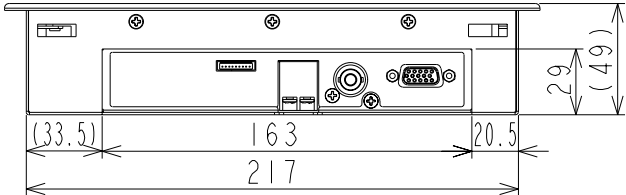
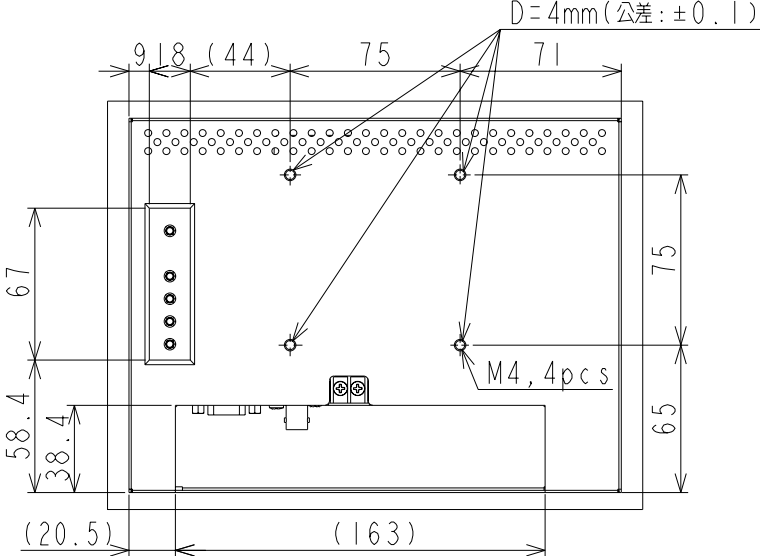
Front View



right-side View



Rear View



Bottom View

公差: ±1.0mm
(但し一部VESA穴深さを除く)