

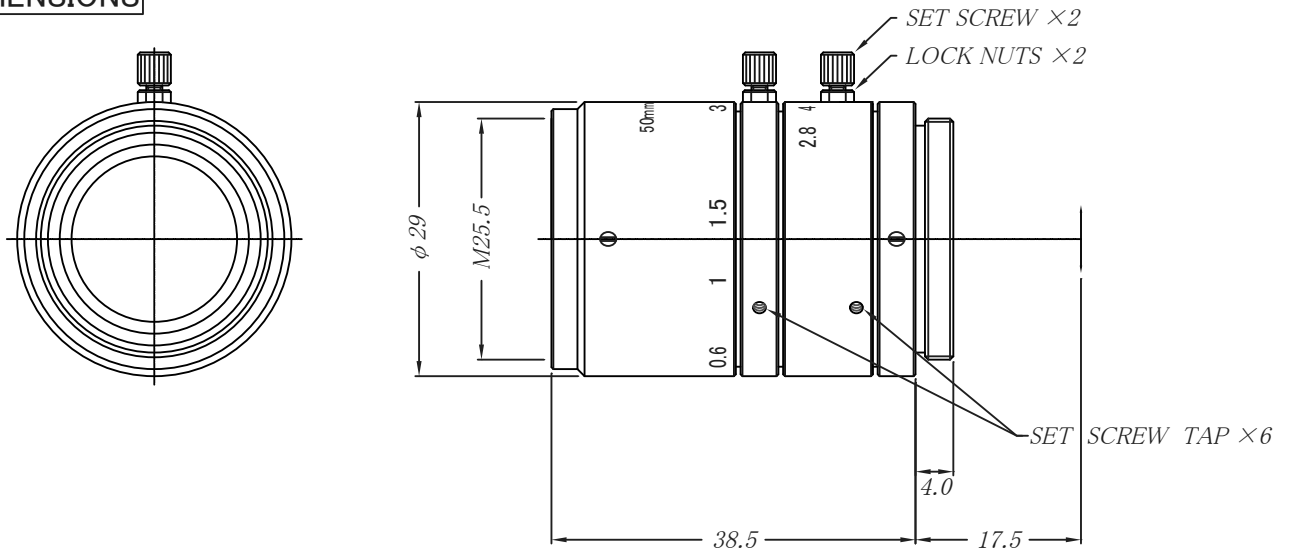
EMVL-MP5028

FIXED FOCAL (MACHINE VISION) 2/3" 50 mm 2.8 C

SPECIFICATIONS

1 Focal Length	-----	50.0 mm
2 Relative Aperture	-----	2.8
3 Image Format	-----	2/3" ϕ 11 (8.8 X 6.6mm)
4 Angular Field of View	-----	12.46° (9.98° × 7.49°)
5 M.O.D.	-----	0.5m
6 Object Area at M.O.D.	-----	68.1 X 51.1mm
7 Back Focal Length	-----	21.2 mm
8 Exit Pupil	-----	-29.56mm
9 Mount Type	-----	"C" MOUNT
10 Iris System	-----	MANUAL 2.8 ~ 22
11 TV Distortion	-----	-0.2%
12 Vignetting	-----	-28%
13 Weight	-----	55g

DIMENSIONS



MAGNIFICATION

() : 14" MONITOR TV

O/I = 3000mm : -0.01725X (0.56X)	O/I = 700mm : -0.08479X (2.74X)
O/I = 1500mm : -0.03587X (1.16X)	O/I = 500mm : -0.12917X (4.18X)
O/I = 1000mm : -0.05607X (1.81X)	