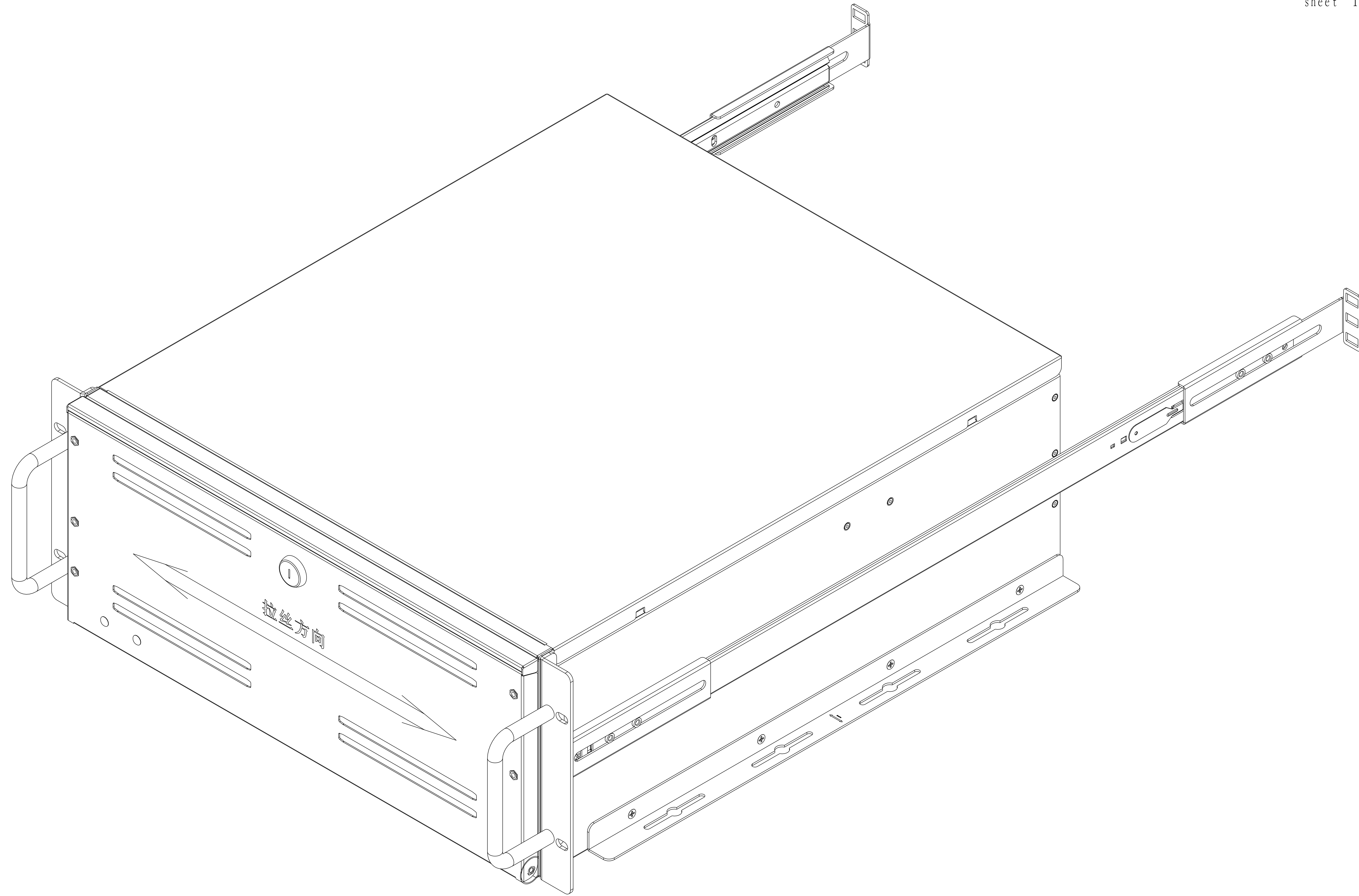


REVISION					EC			PART DRAWING
SYM	DATE	CHANGE	APPROVED	DESCRIPTION	EC LEVEL	RELEASED DATE	PHASE-IN DATE	
△1								PART NO.
△2								
△3								
△4								

sheet 1 of 1

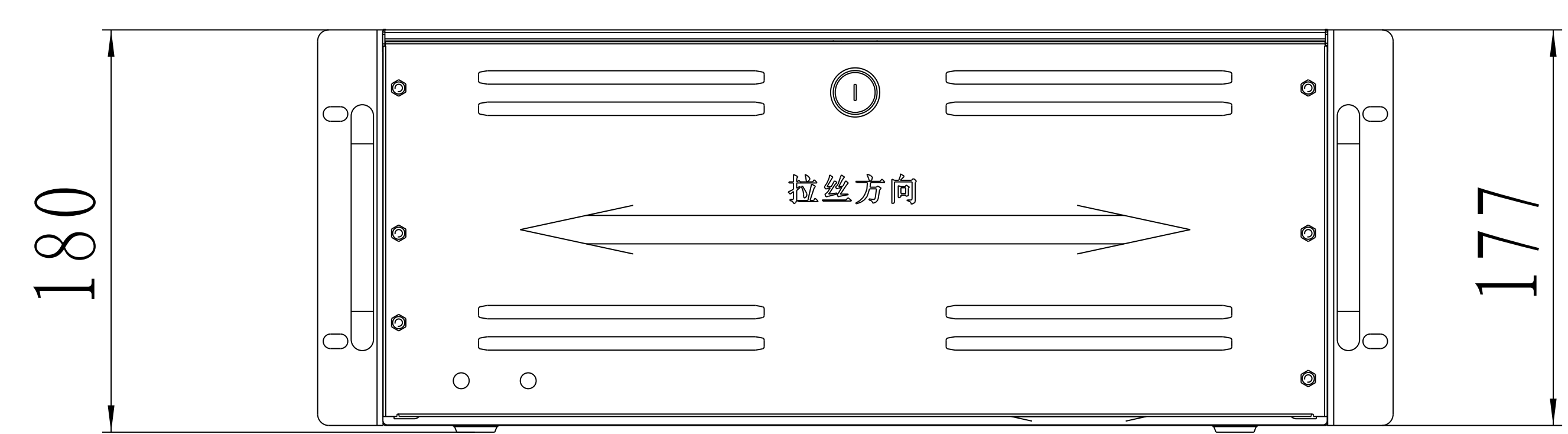
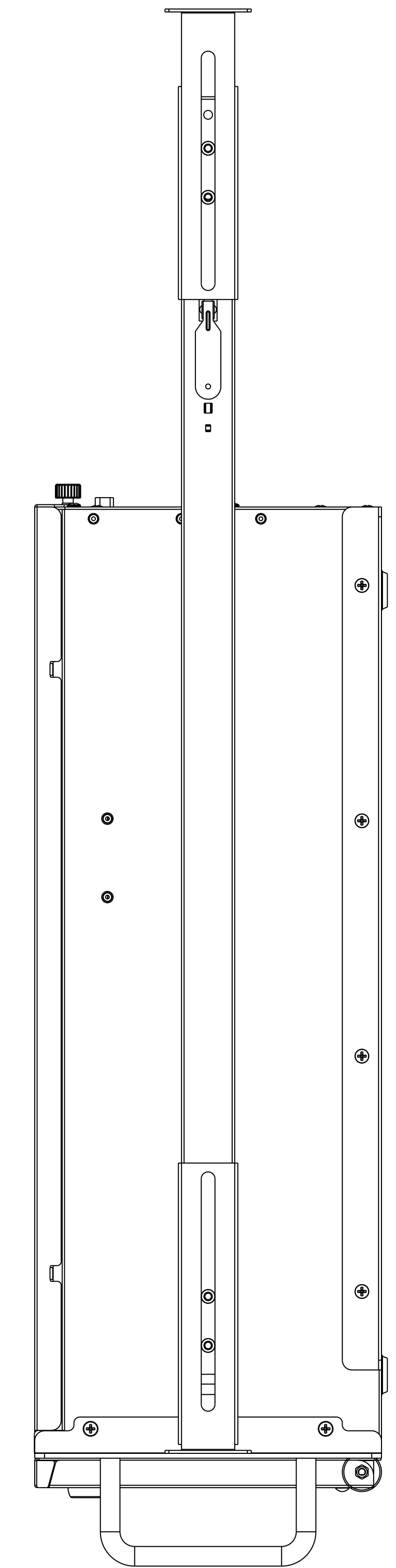
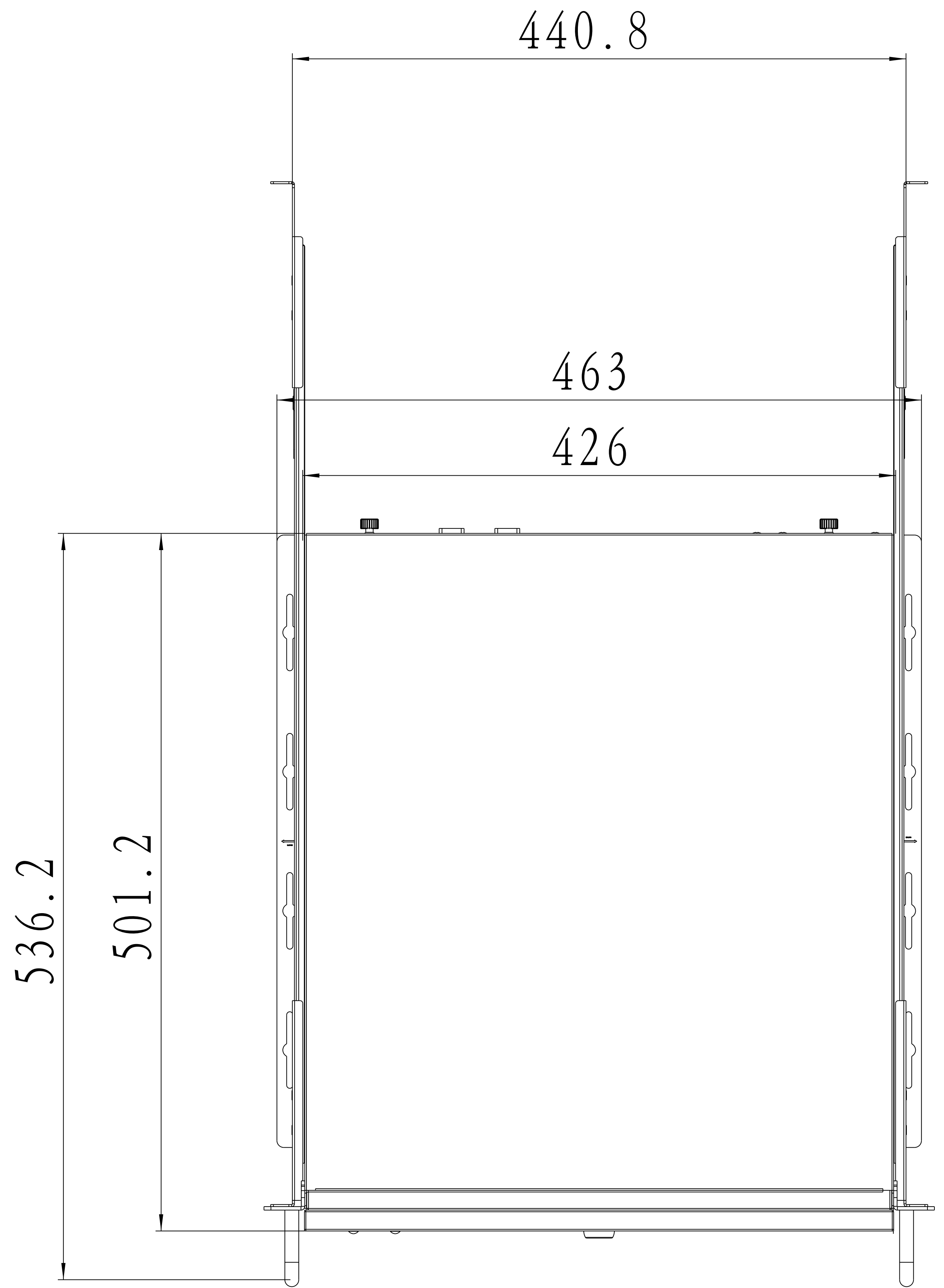
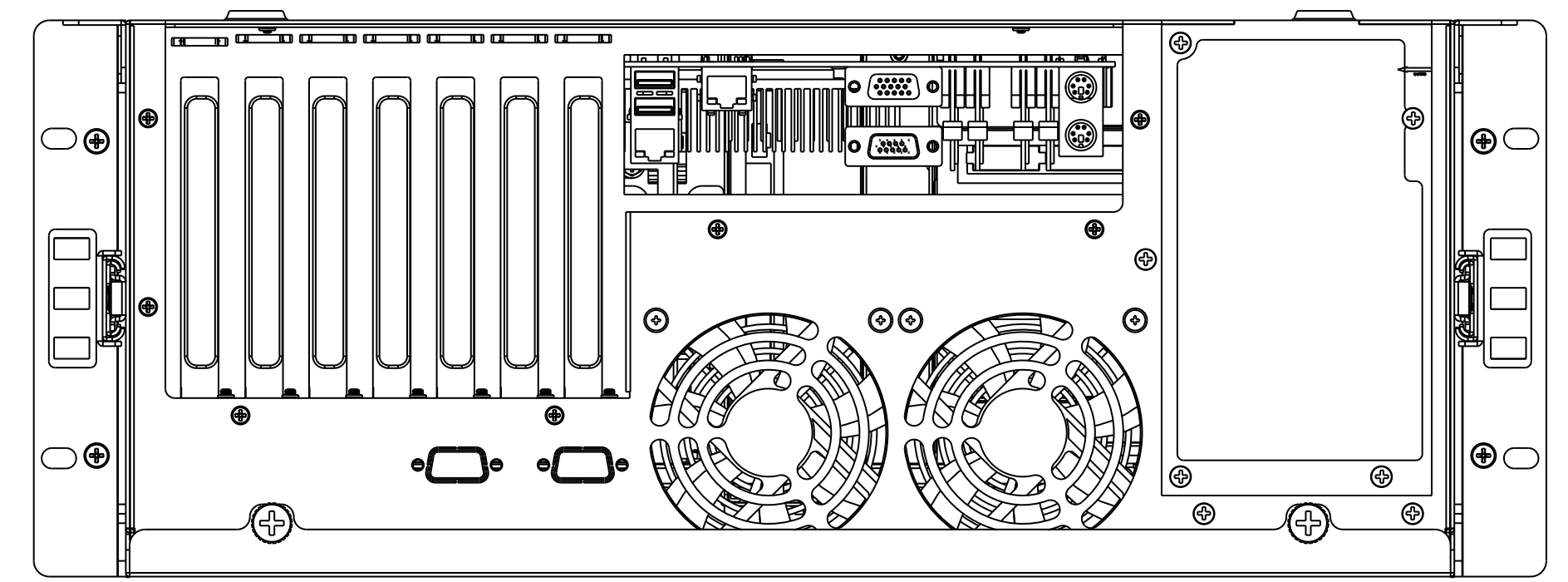


sheet 1 of 1

MATERIAL			TOLERANCES UNLESS NOTED		SI metric AO	SCALE: 1:1 0 mm 25 THIRD ANGLE PROJECTION	PART NO.	
FINISH			LINEAR ±				PART NAME	
			ANGLES ±				MERRYCAN_4U_CHASSIS	
			RADI UNLESS NOTED				REV. NO. V01	
APPROVED	CHECKED	DRAWN	DATE		MERRYCAN TECHNOLOGY CO., LTD			
		JAY	04 03 2009					

REVISION					EC			PART DRAWING
SYM	DATE	CHANGE	APPROVED	DESCRIPTION	EC LEVEL	RELEASED DATE	PHASE-IN DATE	
△1								PART NO.
△2								
△3								
△4								

sheet 1 of 1



sheet 1 of 1

MATERIAL			TOLERANCES UNLESS NOTED				SCALE: 1:2	PART NO.
FINISH			LINEAR ±					PART NAME
			ANGLES ±					MERRYCAN_4U_CHASSIS
			RADIi UNLESS NOTED				REV. NO.	
APPROVED	CHECKED	DRAWN	DATE				V01	
		JAY	04 03 2009			MERRYCAN TECHNOLOGY CO., LTD		