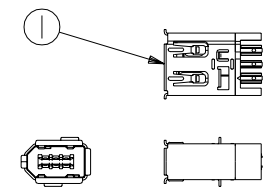


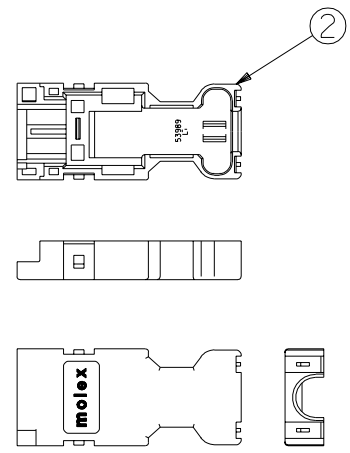
DWG. NO. SD-54280-008

部品構成
PARTS CONSTRUCTION

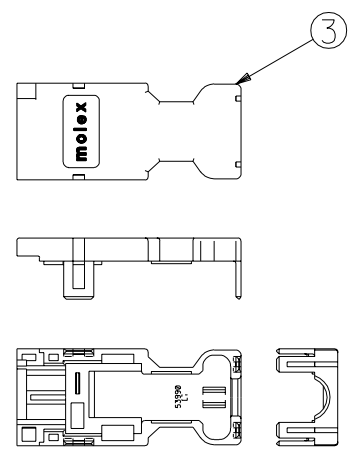
部番 NO.	部品名 PART NAME	製品番号 ENG. NO.	個数 QUAN.	材質 MATERIAL
①	ハウジングアッセンブリ HOUSING ASS'Y	53988-0619	1	ハウジング：ガラス入り耐熱樹脂 UL94V-0 色：黒 HOUSING : G.F. HEAT RESISTANT PLASTIC UL94V-0 COLOR : BLACK ターミナル：りん青銅 t0.3 TERMINAL : PHOSPHOR BRONZE t0.3 メッキ仕様 接点部：ニッケル下地金メッキ PLATING CONTACT AREA : GOLD OVER NICKEL 結線部：ニッケル下地錫メッキ WIRE TERMINATION AREA : TIN OVER NICKEL シエル：りん青銅 t0.4 SHELL : PHOSPHOR BRONZE t0.4 メッキ仕様 ニッケル下地錫メッキ PLATING TIN OVER NICKEL
②	カバーA COVER A	53989-0605	1	ガラス入りポリカーボネイト樹脂 UL94V-0 色：グレー POLYCARBONATE G.F. UL94V-0 COLOR : GRAY
③	カバーB COVER B	53990-0605	1	
④	シエル カバー SHELL COVER	58302-0628	1	鋼 t0.4 STEEL t0.4 メッキ仕様：ニッケル下地、錫メッキ PLATING : NICKEL BASE, TIN PLATING
⑤	ケーブルクランプ CABLE CLAMP	58303-0000	1	ステンレス鋼 STAINLESS STEEL
⑥	十字穴付きなべ小ネジ CROSS RECESSED PAN HEAD MACHINE SCREW	59832-0009	2	黄銅(ネジサイズ：M2X4) BRASS (SCREW SIZE : M2X4)



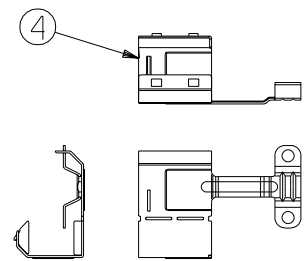
HOUSING ASS'Y



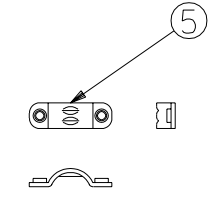
COVER A



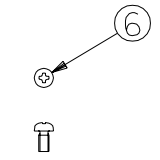
COVER B



SHELL COVER



CABLE CLAMP



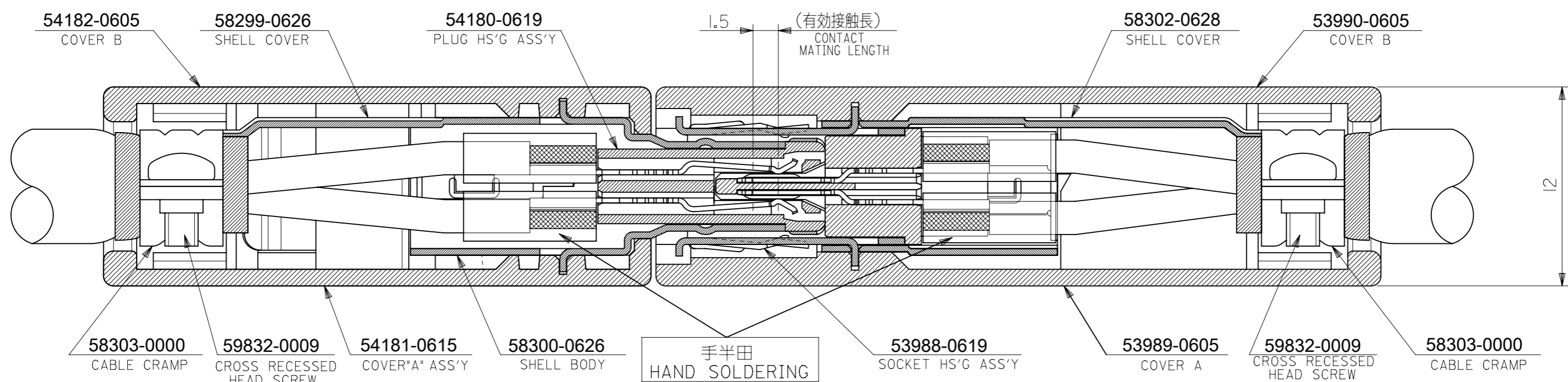
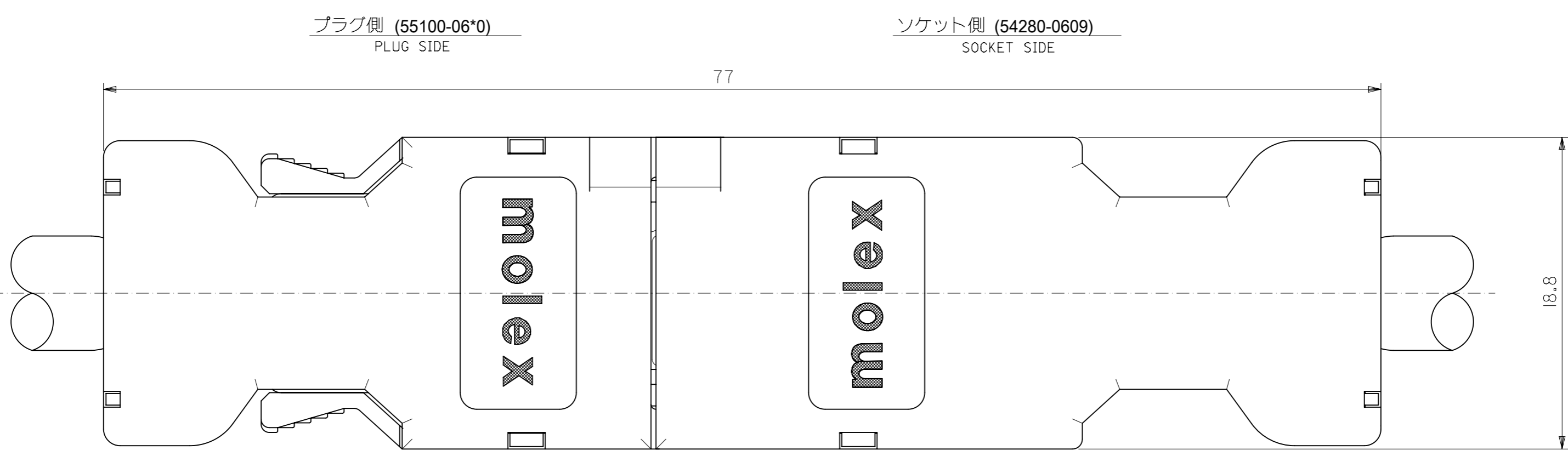
SCREW

54280-0609
MATERIAL No.

角度 ANGLE		±3°	材料 MATERIAL		注参照 SEE NOTES	MOLEX-JAPAN CO.,LTD. 日本モレックス株式会社
30以上 OVER		+0.3	仕上げ FINISH		注参照 SEE NOTES	
10以上 OVER 30未滿 UNDER		+0.25	適用電線範囲 WIRE RANGE		—	REVISE ONLY ON CAD SYSTEM
未滿 10 UNDER		+0.2	被覆外径 INS. RANGE		—	TITLE 名称
一般公差 GENERAL TOLERANCES			DRAWN BY '04/05/18		CHK'D BY '04/05/18	2.0 mm PITCH I/O CONN.
記号 LTR	変更内容 REVISION RECORD	DR. CHK.	日付 DATE	T.UENO	M.SASAO	SOCKET SET
				M.SASAO		-LEAD FREE-
				APP'D BY '04/05/18	尺度 SCALE	DWG. NO.
				M.SASAO	1-1	SD-54280-008
						REV
						0

:MM DIMENSIONS IN METRIC DO NOT SCALE DRAWING

SD-54280-008.S01



注記
NOTE

1. 本製品は55100-0600, 54280-0600の鉛フリー品である。
THIS PRODUCT IS LEAD FREE OF 55100-0600 AND 54280-0600.

THIS DRAWING CONTAINS INFORMATION THAT IS PROPRIETARY TO MOLEX ELECTRONIC TECHNOLOGIES, LLC AND SHOULD NOT BE USED WITHOUT WRITTEN PERMISSION

REVISED EC NO: 119030 DRWN: TNAKAGAWA01 CHK'D: KTAKAHASHI APPR: MSASAO	2017/07/06	GENERAL TOLERANCES (UNLESS SPECIFIED)	DIMENSION UNITS	SCALE
	2017/07/11	ANGULAR TOL ± °	MM	4:1
	2017/07/11	4 PLACES ±	DRWN BY	DATE
		3 PLACES ±	MNABEI	2008/04/09
		2 PLACES ±	CHK'D BY	DATE
		1 PLACE ±	MISOGAYA	2008/04/10
	0 PLACES ±	APPR BY	DATE	
		NUKITA	2008/04/11	
		DRAFT WHERE APPLICABLE MUST REMAIN WITHIN DIMENSIONS	DRAWING SIZE	THIRD ANGLE PROJECTION
			A3	

molex			
2.0 I/O CONN. CROSS-SECT. VIEW OF MATED CONNECTORS -LEAD FREE-			
PRODUCT CUSTOMER DRAWING			
SERIES	MATERIAL NUMBER	CUSTOMER	
54280	SEE IN FIGURE	GENERAL MARKET	
DOCUMENT NUMBER		DOC TYPE	DOC PART SHEET NUMBER
SD-54280-011		PSD	001 1 OF 1