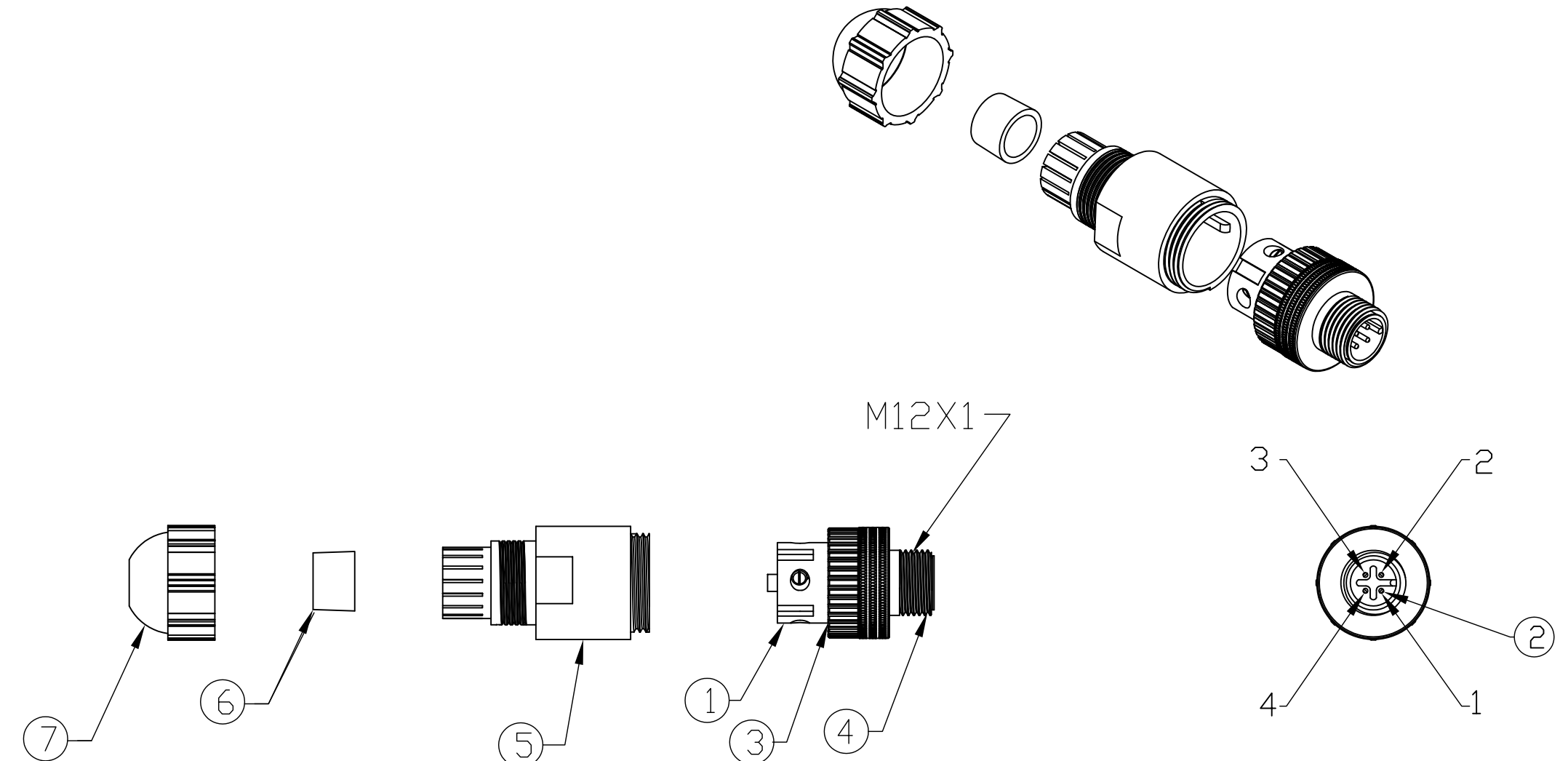
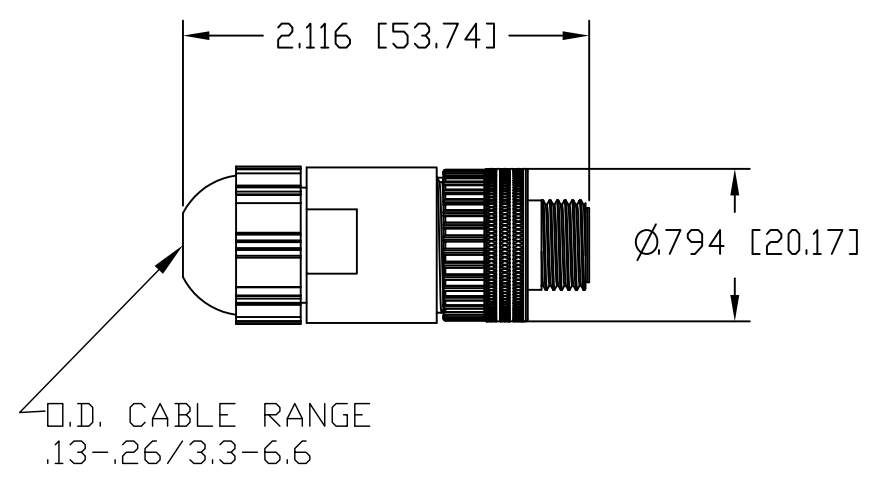


MATERIAL NUMBER	ENGINEERING NUMBER
1200710038	8A4006-31



MALE FACE VIEW

1	_____
2	_____
3	_____
4	_____

WIRING CHART

VOLTAGE RATING	250VAC/300VDC
AMPERAGE RATING	4 AMPS
PROTECTION	IP67
OPERATING TEMPERATURE	-25°C TO 90°C
CSA CERTIFICATIONS	CSA CERTIFIED, FILE NO. LR6837

ITEM		COMPONENT	MATERIAL	FINISH
1	1	INSERT	POLYAMIDE	BLACK
2	4	CONTACTS	COPPER ALLOY	SILVER PLATED
3	1	O-RING	NITRILE	BLACK
4	1	COUPLING NUT	BRASS	NICKEL PLATED
5	1	MOLDED BODY	POLYAMIDE	BLACK
6	1	GROMMET	NITRILE	BLACK
7	1	CORD GRIP BODY	POLYAMIDE	BLACK

RELEASE EC NO: WEU2010-0045 DRWN: TWOLDEGE 8/7/09 CH'KD: BWOODMAN APPR: JFMURPHY 2009/08/21	QUALITY SYMBOL
	▽=0 C=0

GENERAL TOLERANCES (UNLESS SPECIFIED)	
	mm INCH
4 PLACES	±---- ±----
3 PLACES	±---- ±----
2 PLACES	±---- ±.01
1 PLACE	±0.3 ±----
ANGULAR ±----°	
DRAFT WHERE APPLICABLE MUST REMAIN WITHIN DIMENSIONS	

DIMENSION STYLE	

DRAWN BY	DATE
TWOLDEGE	2009/08/07
CHECKED BY	DATE
BWOODMAN	2009/08/10
APPROVED BY	DATE

MATERIAL NO.	1200710038
SIZE	C

SCALE	DESIGN UNITS	THIRD ANGLE PROJECTION
----	INCH	☉
TITLE		
MIC 4P MALE ATTACH .13-.26 O.D. CABLE RANGE PG7 CABLE FITTING		
MOLEX INCORPORATED		
MATERIAL NO.	DOCUMENT NO.	SHEET NO.
1200710038	SD-120071-003	1 OF 1
THIS DRAWING CONTAINS INFORMATION THAT IS PROPRIETARY TO MOLEX INCORPORATED AND SHOULD NOT BE USED WITHOUT WRITTEN PERMISSION		