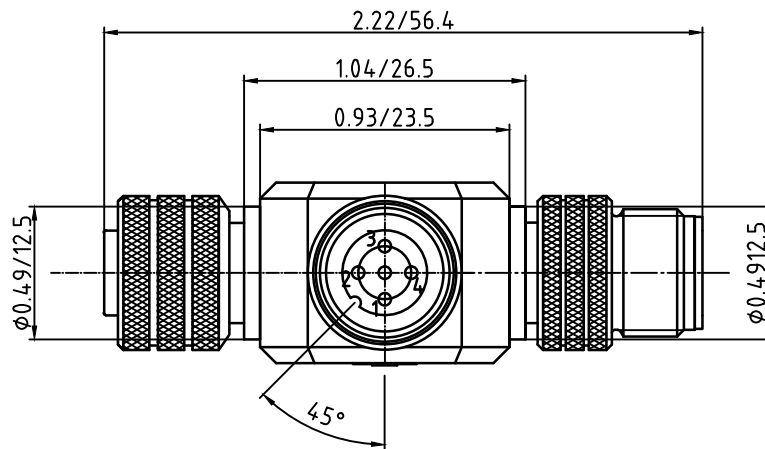


CONNECTOR SPECIFICATION: Steckverbinder-Eigenschaften:	
VOLTAGE RATING Bemessungsspannung	250V AC / 300V DC
AMPERAGE RATING Betriebsstrom	max. 4 AMPS
PROTECTION Schutzart	IP67
OPERATING TEMPERATURE Temperaturbereich	-25°C TO +90°C



(...) INFORMATION DIMENSION
(...) Informationsmaß

POS. Pos.	COMPONENT Einzelteil	MATERIAL Material	FINISH Oberfläche
1	INSERT Kontaktträger	PUR / BLACK PUR / schwarz	---
2	CONTACT SOCKET Kontakt	COPPER ALLOY Kupferlegierung	GOLD-PLATED vergoldet
3	COUPLING NUT MALE Schraubverschluß Stecker	BRASS Messing	NICKEL-PLATED vernickelt
4	COUPLING NUT FEMALE Schraubverschluß Buchse	BRASS Messing	NICKEL-PLATED vernickelt
5	OVERMOULD Umspritzung	PUR / BLACK PUR / schwarz	---
6	O-RING (FEMALE) O-Ring (Buchse)	FPM / RED FPM / rot	---

ENG.-NO.: 0812-041FJ-00000

DESCRIPTION EC NO: IPG2013-1267 DRWN: BBRAUCH 2013/03/04 CHKD: REISSNER APPR: REISSNER 2013/03/28	QUALITY SYMBOLS ▽ = 0 ▽ = 0	GENERAL TOLERANCES (UNLESS SPECIFIED)		DIMENSION STYLE MM		SCALE 2:1	DESIGN UNITS METRIC	THIRD ANGLE PROJECTION	
		4 PLACES ±---	± INCH	DRAWN BY DATE BBRAUCH 2013/03/15		SPL TS M12 4P AC MA FE FE			
3 PLACES ±---	±	CHECKED BY DATE REISSNER 2013/03/20		MATERIAL NO. 1200688006					
2 PLACES ±0.05	±0.01	APPROVED BY DATE REISSNER 2013/03/28							
1 PLACE ±0.3	±---	ANGULAR ± 1°		SIZE A3		THIS DRAWING CONTAINS INFORMATION THAT IS PROPRIETARY TO MOLEX INCORPORATED AND SHOULD NOT BE USED WITHOUT WRITTEN PERMISSION			
0 PLACE ±0.5	±---	DRAFT WHERE APPLICABLE MUST REMAIN WITHIN DIMENSIONS							

