

ENZR-R 取扱説明書訂正のお願い
A request of an instruction manual correction

平素は格別のお引き立てを賜り厚くお礼申し上げます。

Thank you very much for your patronage.

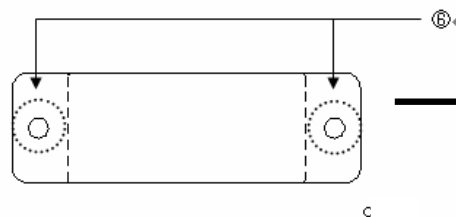
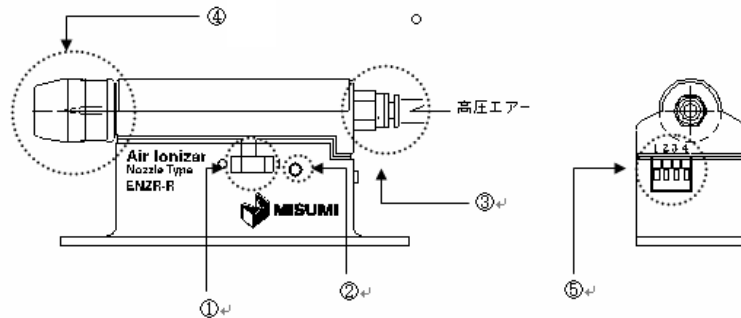
さて、ENZR-R 取扱説明書に印刷後の訂正がございましたので、誠に恐縮ですがご訂正の上でご使用くださるようお願い致します。

We are sorry but we found out the mistake on the instruction manual we submitted. Please kindly correct the following points for your convenience. We really apologize for this mistake. We really appreciate for your kind correction.

P2

訂正前

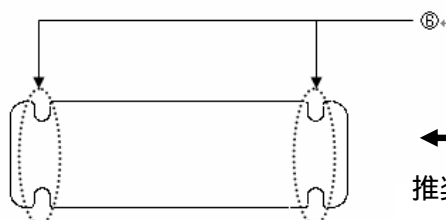
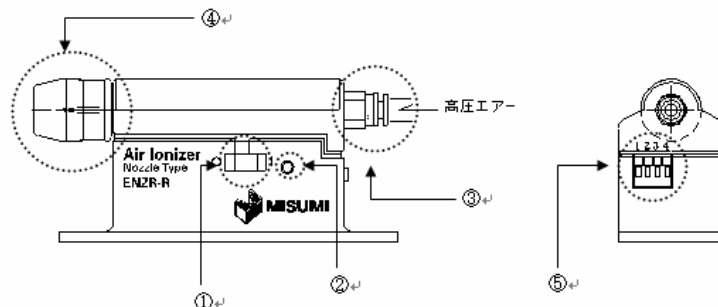
Before a correction



取り付け穴の変更を行いました
changed the Mounting hole

訂正後

After a correction



推奨ネジサイズ M5 × 12
Recommended screw size

外觀図

External View

