

STRIPPER GUIDE BUSHINGS


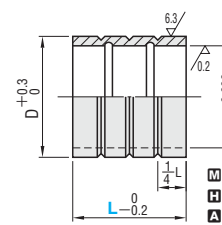

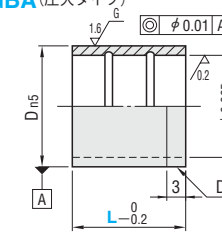

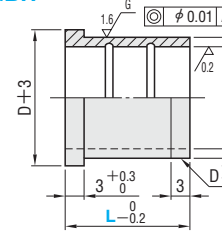

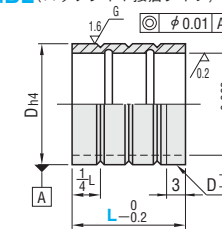

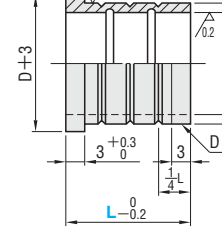
ストリッパガイドブシュ

給油・無給油タイプ

プライスタウン
15%

SGBDは次回カタログで廃止予定です。 : 値下げ価格

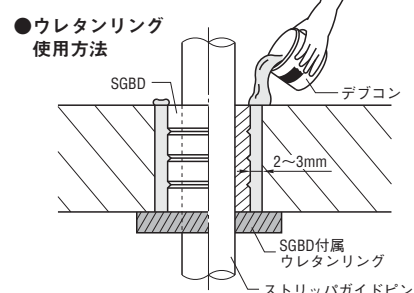
給油タイプ ストリッパガイドブシュは常温環境(40℃以下)にてご使用ください。取付方法 P.794

|  | RoHS SGBD (デブコン接着タイプ) |  <p>材質 SUJ2 硬度 58HRC~ 付属品 ウレタンリング</p> | <table border="1"> <thead> <tr> <th>D</th> <th colspan="2">型式</th> <th colspan="5">L</th> <th>¥基準単価</th> </tr> <tr> <th></th> <th>Type</th> <th>d</th> <th colspan="5"></th> <th>1~9本</th> </tr> </thead> <tbody> <tr> <td>12</td> <td rowspan="5">SGBD</td> <td>8</td> <td>10</td> <td>13</td> <td>16</td> <td>20</td> <td>480</td> </tr> <tr> <td>14</td> <td>10</td> <td>10</td> <td>13</td> <td>16</td> <td>20</td> <td>540</td> </tr> <tr> <td>18</td> <td>13</td> <td>13</td> <td>16</td> <td>20</td> <td>25</td> <td>570</td> </tr> <tr> <td>22</td> <td>16</td> <td>16</td> <td>20</td> <td>25</td> <td>30</td> <td>630</td> </tr> <tr> <td>25</td> <td>20</td> <td>20</td> <td>25</td> <td>30</td> <td>35</td> <td>760</td> </tr> <tr> <td>32</td> <td>25</td> <td>25</td> <td>30</td> <td>35</td> <td>35</td> <td>930</td> </tr> </tbody> </table> <p>付属品のウレタンリングは、接着時にデブコンが落ちてこないように、ガイドピンに嵌めてご使用ください。 追加加工LCの時はウレタンリングは付属されません。</p> | D | 型式 | | L | | | | | ¥基準単価 | | Type | d | | | | | | 1~9本 | 12 | SGBD | 8 | 10 | 13 | 16 | 20 | 480 | 14 | 10 | 10 | 13 | 16 | 20 | 540 | 18 | 13 | 13 | 16 | 20 | 25 | 570 | 22 | 16 | 16 | 20 | 25 | 30 | 630 | 25 | 20 | 20 | 25 | 30 | 35 | 760 | 32 | 25 | 25 | 30 | 35 | 35 | 930 |
|---|--|--|---|-----|----|-------|-----|-----|-------|--|--|-------|--|------|---|--|--|--|--|--|------|----|------|---|----|----|----|----|-----|----|----|----|----|----|----|-----|----|----|----|----|----|----|-----|----|----|----|----|----|----|-----|----|----|----|----|----|----|-----|----|----|----|----|----|----|-------|
| | D | 型式 | | L | | | | | ¥基準単価 | | | | | | | | | | | | | | | | | | | | | | | | | | | | | | | | | | | | | | | | | | | | | | | | | | | | | | | |
| | | Type | d | | | | | | 1~9本 | | | | | | | | | | | | | | | | | | | | | | | | | | | | | | | | | | | | | | | | | | | | | | | | | | | | | | | |
| | 12 | SGBD | 8 | 10 | 13 | 16 | 20 | 480 | | | | | | | | | | | | | | | | | | | | | | | | | | | | | | | | | | | | | | | | | | | | | | | | | | | | | | | | |
| | 14 | | 10 | 10 | 13 | 16 | 20 | 540 | | | | | | | | | | | | | | | | | | | | | | | | | | | | | | | | | | | | | | | | | | | | | | | | | | | | | | | | |
| 18 | 13 | | 13 | 16 | 20 | 25 | 570 | | | | | | | | | | | | | | | | | | | | | | | | | | | | | | | | | | | | | | | | | | | | | | | | | | | | | | | | | |
| 22 | 16 | | 16 | 20 | 25 | 30 | 630 | | | | | | | | | | | | | | | | | | | | | | | | | | | | | | | | | | | | | | | | | | | | | | | | | | | | | | | | | |
| 25 | 20 | | 20 | 25 | 30 | 35 | 760 | | | | | | | | | | | | | | | | | | | | | | | | | | | | | | | | | | | | | | | | | | | | | | | | | | | | | | | | | |
| 32 | 25 | 25 | 30 | 35 | 35 | 930 | | | | | | | | | | | | | | | | | | | | | | | | | | | | | | | | | | | | | | | | | | | | | | | | | | | | | | | | | | |
|  | RoHS SGBA (圧入タイプ) |  <p>材質 SUJ2 硬度 58HRC~</p> | <table border="1"> <thead> <tr> <th>Dn5</th> <th colspan="2">型式</th> <th colspan="5">L</th> <th>¥基準単価</th> </tr> <tr> <th></th> <th>Type</th> <th>d</th> <th colspan="5"></th> <th>1~9本</th> </tr> </thead> <tbody> <tr> <td>12</td> <td rowspan="5">SGBA</td> <td>8</td> <td>10</td> <td>13</td> <td>16</td> <td>20</td> <td>480</td> </tr> <tr> <td>14</td> <td>10</td> <td>10</td> <td>13</td> <td>16</td> <td>20</td> <td>530</td> </tr> <tr> <td>18</td> <td>13</td> <td>13</td> <td>16</td> <td>20</td> <td>25</td> <td>570</td> </tr> <tr> <td>22</td> <td>16</td> <td>16</td> <td>20</td> <td>25</td> <td>30</td> <td>630</td> </tr> <tr> <td>25</td> <td>20</td> <td>20</td> <td>25</td> <td>30</td> <td>35</td> <td>730</td> </tr> <tr> <td>32</td> <td>25</td> <td>25</td> <td>30</td> <td>35</td> <td>35</td> <td>890</td> </tr> </tbody> </table> | Dn5 | 型式 | | L | | | | | ¥基準単価 | | Type | d | | | | | | 1~9本 | 12 | SGBA | 8 | 10 | 13 | 16 | 20 | 480 | 14 | 10 | 10 | 13 | 16 | 20 | 530 | 18 | 13 | 13 | 16 | 20 | 25 | 570 | 22 | 16 | 16 | 20 | 25 | 30 | 630 | 25 | 20 | 20 | 25 | 30 | 35 | 730 | 32 | 25 | 25 | 30 | 35 | 35 | 890 |
| | Dn5 | 型式 | | L | | | | | ¥基準単価 | | | | | | | | | | | | | | | | | | | | | | | | | | | | | | | | | | | | | | | | | | | | | | | | | | | | | | | |
| | | Type | d | | | | | | 1~9本 | | | | | | | | | | | | | | | | | | | | | | | | | | | | | | | | | | | | | | | | | | | | | | | | | | | | | | | |
| | 12 | SGBA | 8 | 10 | 13 | 16 | 20 | 480 | | | | | | | | | | | | | | | | | | | | | | | | | | | | | | | | | | | | | | | | | | | | | | | | | | | | | | | | |
| | 14 | | 10 | 10 | 13 | 16 | 20 | 530 | | | | | | | | | | | | | | | | | | | | | | | | | | | | | | | | | | | | | | | | | | | | | | | | | | | | | | | | |
| 18 | 13 | | 13 | 16 | 20 | 25 | 570 | | | | | | | | | | | | | | | | | | | | | | | | | | | | | | | | | | | | | | | | | | | | | | | | | | | | | | | | | |
| 22 | 16 | | 16 | 20 | 25 | 30 | 630 | | | | | | | | | | | | | | | | | | | | | | | | | | | | | | | | | | | | | | | | | | | | | | | | | | | | | | | | | |
| 25 | 20 | | 20 | 25 | 30 | 35 | 730 | | | | | | | | | | | | | | | | | | | | | | | | | | | | | | | | | | | | | | | | | | | | | | | | | | | | | | | | | |
| 32 | 25 | 25 | 30 | 35 | 35 | 890 | | | | | | | | | | | | | | | | | | | | | | | | | | | | | | | | | | | | | | | | | | | | | | | | | | | | | | | | | | |
|  | RoHS SGBH (圧入タイプ) |  <p>材質 SUJ2 硬度 58HRC~</p> | <table border="1"> <thead> <tr> <th>Dm5</th> <th colspan="2">型式</th> <th colspan="5">L</th> <th>¥基準単価</th> </tr> <tr> <th></th> <th>Type</th> <th>d</th> <th colspan="5"></th> <th>1~9本</th> </tr> </thead> <tbody> <tr> <td>12</td> <td rowspan="5">SGBH</td> <td>8</td> <td>10</td> <td>13</td> <td>16</td> <td>20</td> <td>550</td> </tr> <tr> <td>14</td> <td>10</td> <td>10</td> <td>13</td> <td>16</td> <td>20</td> <td>630</td> </tr> <tr> <td>18</td> <td>13</td> <td>13</td> <td>16</td> <td>20</td> <td>22</td> <td>680</td> </tr> <tr> <td>22</td> <td>16</td> <td>13</td> <td>16</td> <td>20</td> <td>22</td> <td>750</td> </tr> <tr> <td>25</td> <td>20</td> <td>16</td> <td>20</td> <td>22</td> <td>25</td> <td>850</td> </tr> <tr> <td>32</td> <td>25</td> <td>20</td> <td>22</td> <td>25</td> <td>30</td> <td>1,040</td> </tr> </tbody> </table> | Dm5 | 型式 | | L | | | | | ¥基準単価 | | Type | d | | | | | | 1~9本 | 12 | SGBH | 8 | 10 | 13 | 16 | 20 | 550 | 14 | 10 | 10 | 13 | 16 | 20 | 630 | 18 | 13 | 13 | 16 | 20 | 22 | 680 | 22 | 16 | 13 | 16 | 20 | 22 | 750 | 25 | 20 | 16 | 20 | 22 | 25 | 850 | 32 | 25 | 20 | 22 | 25 | 30 | 1,040 |
| | Dm5 | 型式 | | L | | | | | ¥基準単価 | | | | | | | | | | | | | | | | | | | | | | | | | | | | | | | | | | | | | | | | | | | | | | | | | | | | | | | |
| | | Type | d | | | | | | 1~9本 | | | | | | | | | | | | | | | | | | | | | | | | | | | | | | | | | | | | | | | | | | | | | | | | | | | | | | | |
| | 12 | SGBH | 8 | 10 | 13 | 16 | 20 | 550 | | | | | | | | | | | | | | | | | | | | | | | | | | | | | | | | | | | | | | | | | | | | | | | | | | | | | | | | |
| | 14 | | 10 | 10 | 13 | 16 | 20 | 630 | | | | | | | | | | | | | | | | | | | | | | | | | | | | | | | | | | | | | | | | | | | | | | | | | | | | | | | | |
| 18 | 13 | | 13 | 16 | 20 | 22 | 680 | | | | | | | | | | | | | | | | | | | | | | | | | | | | | | | | | | | | | | | | | | | | | | | | | | | | | | | | | |
| 22 | 16 | | 13 | 16 | 20 | 22 | 750 | | | | | | | | | | | | | | | | | | | | | | | | | | | | | | | | | | | | | | | | | | | | | | | | | | | | | | | | | |
| 25 | 20 | | 16 | 20 | 22 | 25 | 850 | | | | | | | | | | | | | | | | | | | | | | | | | | | | | | | | | | | | | | | | | | | | | | | | | | | | | | | | | |
| 32 | 25 | 20 | 22 | 25 | 30 | 1,040 | | | | | | | | | | | | | | | | | | | | | | | | | | | | | | | | | | | | | | | | | | | | | | | | | | | | | | | | | | |
|  | RoHS SGBL (ロックタイト接着タイプ) |  <p>材質 SUJ2 硬度 58HRC~</p> | <table border="1"> <thead> <tr> <th>Dh4</th> <th colspan="2">型式</th> <th colspan="5">L</th> <th>¥基準単価</th> </tr> <tr> <th></th> <th>Type</th> <th>d</th> <th colspan="5"></th> <th>1~9本</th> </tr> </thead> <tbody> <tr> <td>12</td> <td rowspan="5">SGBL</td> <td>8</td> <td>10</td> <td>13</td> <td>16</td> <td>20</td> <td>480</td> </tr> <tr> <td>14</td> <td>10</td> <td>10</td> <td>13</td> <td>16</td> <td>20</td> <td>530</td> </tr> <tr> <td>18</td> <td>13</td> <td>13</td> <td>16</td> <td>20</td> <td>22</td> <td>570</td> </tr> <tr> <td>22</td> <td>16</td> <td>13</td> <td>16</td> <td>20</td> <td>22</td> <td>630</td> </tr> <tr> <td>25</td> <td>20</td> <td>16</td> <td>20</td> <td>22</td> <td>25</td> <td>730</td> </tr> <tr> <td>32</td> <td>25</td> <td>20</td> <td>22</td> <td>25</td> <td>30</td> <td>890</td> </tr> </tbody> </table> | Dh4 | 型式 | | L | | | | | ¥基準単価 | | Type | d | | | | | | 1~9本 | 12 | SGBL | 8 | 10 | 13 | 16 | 20 | 480 | 14 | 10 | 10 | 13 | 16 | 20 | 530 | 18 | 13 | 13 | 16 | 20 | 22 | 570 | 22 | 16 | 13 | 16 | 20 | 22 | 630 | 25 | 20 | 16 | 20 | 22 | 25 | 730 | 32 | 25 | 20 | 22 | 25 | 30 | 890 |
| | Dh4 | 型式 | | L | | | | | ¥基準単価 | | | | | | | | | | | | | | | | | | | | | | | | | | | | | | | | | | | | | | | | | | | | | | | | | | | | | | | |
| | | Type | d | | | | | | 1~9本 | | | | | | | | | | | | | | | | | | | | | | | | | | | | | | | | | | | | | | | | | | | | | | | | | | | | | | | |
| | 12 | SGBL | 8 | 10 | 13 | 16 | 20 | 480 | | | | | | | | | | | | | | | | | | | | | | | | | | | | | | | | | | | | | | | | | | | | | | | | | | | | | | | | |
| | 14 | | 10 | 10 | 13 | 16 | 20 | 530 | | | | | | | | | | | | | | | | | | | | | | | | | | | | | | | | | | | | | | | | | | | | | | | | | | | | | | | | |
| 18 | 13 | | 13 | 16 | 20 | 22 | 570 | | | | | | | | | | | | | | | | | | | | | | | | | | | | | | | | | | | | | | | | | | | | | | | | | | | | | | | | | |
| 22 | 16 | | 13 | 16 | 20 | 22 | 630 | | | | | | | | | | | | | | | | | | | | | | | | | | | | | | | | | | | | | | | | | | | | | | | | | | | | | | | | | |
| 25 | 20 | | 16 | 20 | 22 | 25 | 730 | | | | | | | | | | | | | | | | | | | | | | | | | | | | | | | | | | | | | | | | | | | | | | | | | | | | | | | | | |
| 32 | 25 | 20 | 22 | 25 | 30 | 890 | | | | | | | | | | | | | | | | | | | | | | | | | | | | | | | | | | | | | | | | | | | | | | | | | | | | | | | | | | |
|  | RoHS SGBT (ロックタイト接着タイプ) |  <p>材質 SUJ2 硬度 58HRC~</p> | <table border="1"> <thead> <tr> <th>Dh4</th> <th colspan="2">型式</th> <th colspan="5">L</th> <th>¥基準単価</th> </tr> <tr> <th></th> <th>Type</th> <th>d</th> <th colspan="5"></th> <th>1~9本</th> </tr> </thead> <tbody> <tr> <td>12</td> <td rowspan="5">SGBT</td> <td>8</td> <td>10</td> <td>13</td> <td>16</td> <td>20</td> <td>550</td> </tr> <tr> <td>14</td> <td>10</td> <td>10</td> <td>13</td> <td>16</td> <td>20</td> <td>630</td> </tr> <tr> <td>18</td> <td>13</td> <td>13</td> <td>16</td> <td>20</td> <td>22</td> <td>680</td> </tr> <tr> <td>22</td> <td>16</td> <td>13</td> <td>16</td> <td>20</td> <td>22</td> <td>750</td> </tr> <tr> <td>25</td> <td>20</td> <td>16</td> <td>20</td> <td>22</td> <td>25</td> <td>850</td> </tr> <tr> <td>32</td> <td>25</td> <td>20</td> <td>22</td> <td>25</td> <td>30</td> <td>1,040</td> </tr> </tbody> </table> | Dh4 | 型式 | | L | | | | | ¥基準単価 | | Type | d | | | | | | 1~9本 | 12 | SGBT | 8 | 10 | 13 | 16 | 20 | 550 | 14 | 10 | 10 | 13 | 16 | 20 | 630 | 18 | 13 | 13 | 16 | 20 | 22 | 680 | 22 | 16 | 13 | 16 | 20 | 22 | 750 | 25 | 20 | 16 | 20 | 22 | 25 | 850 | 32 | 25 | 20 | 22 | 25 | 30 | 1,040 |
| | Dh4 | 型式 | | L | | | | | ¥基準単価 | | | | | | | | | | | | | | | | | | | | | | | | | | | | | | | | | | | | | | | | | | | | | | | | | | | | | | | |
| | | Type | d | | | | | | 1~9本 | | | | | | | | | | | | | | | | | | | | | | | | | | | | | | | | | | | | | | | | | | | | | | | | | | | | | | | |
| | 12 | SGBT | 8 | 10 | 13 | 16 | 20 | 550 | | | | | | | | | | | | | | | | | | | | | | | | | | | | | | | | | | | | | | | | | | | | | | | | | | | | | | | | |
| | 14 | | 10 | 10 | 13 | 16 | 20 | 630 | | | | | | | | | | | | | | | | | | | | | | | | | | | | | | | | | | | | | | | | | | | | | | | | | | | | | | | | |
| 18 | 13 | | 13 | 16 | 20 | 22 | 680 | | | | | | | | | | | | | | | | | | | | | | | | | | | | | | | | | | | | | | | | | | | | | | | | | | | | | | | | | |
| 22 | 16 | | 13 | 16 | 20 | 22 | 750 | | | | | | | | | | | | | | | | | | | | | | | | | | | | | | | | | | | | | | | | | | | | | | | | | | | | | | | | | |
| 25 | 20 | | 16 | 20 | 22 | 25 | 850 | | | | | | | | | | | | | | | | | | | | | | | | | | | | | | | | | | | | | | | | | | | | | | | | | | | | | | | | | |
| 32 | 25 | 20 | 22 | 25 | 30 | 1,040 | | | | | | | | | | | | | | | | | | | | | | | | | | | | | | | | | | | | | | | | | | | | | | | | | | | | | | | | | | |


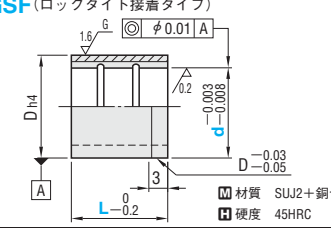
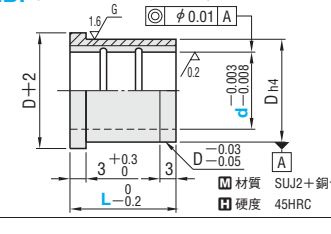

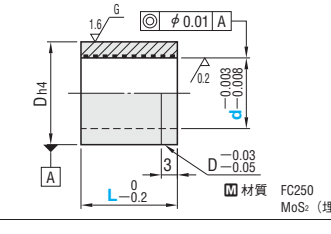
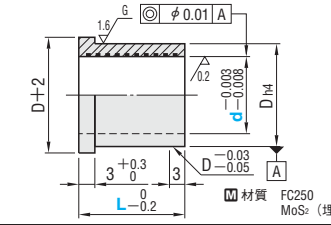
*外径溝数: L≤20→2本 L>20→3本

SGBD付属ウレタンリング寸法

| 型式 | A | B |
|--------|----|----|
| SGBD 8 | 8 | 25 |
| SGBD10 | 10 | 25 |
| SGBD13 | 13 | 35 |
| SGBD16 | 16 | 35 |
| SGBD20 | 20 | 45 |
| SGBD25 | 25 | 45 |



銅合金・給油タイプ ストリッパガイドブシュは常温環境(40℃以下)にてご使用ください。取付方法 P.794

| | | |
|---|--|--|
|  | SGSF (ロックタイト接着タイプ) |  <p>材質 SUJ2+銅合金 硬度 45HRC</p> |
| | SGBF (ロックタイト接着タイプ) |  <p>材質 SUJ2+銅合金 硬度 45HRC</p> |
|  | RoHS SGBZ (ロックタイト接着タイプ) |  <p>材質 FC250 MoS₂ (埋設)</p> |
| | RoHS SGHZ (ロックタイト接着タイプ) |  <p>材質 FC250 MoS₂ (埋設)</p> |

| Dh4 | 型式 | | L | | | | | ¥基準単価 | |
|-----|------|----|----|----|----|----|----|-------|-------|
| | Type | d | | | | | | 1~9本 | |
| 16 | SGSF | 10 | 10 | 13 | 16 | 20 | 22 | 25 | 1,080 |
| 20 | | 13 | 13 | 16 | 20 | 22 | 25 | 30 | 1,150 |
| 24 | | 16 | 16 | 20 | 22 | 25 | 30 | 35 | 1,280 |
| 28 | | 20 | 16 | 20 | 22 | 25 | 30 | 35 | 1,440 |
| 34 | | 25 | 20 | 22 | 25 | 30 | 35 | 1,680 | |

| Dh4 | 型式 | | L | | | | | ¥基準単価 | |
|-----|------|----|----|----|----|----|----|-------|-------|
| | Type | d | | | | | | 1~9本 | |
| 16 | SGBF | 10 | 10 | 13 | 16 | 20 | 22 | 25 | 1,200 |
| 20 | | 13 | 13 | 16 | 20 | 22 | 25 | 30 | 1,280 |
| 24 | | 16 | 16 | 20 | 22 | 25 | 30 | 35 | 1,360 |
| 28 | | 20 | 16 | 20 | 22 | 25 | 30 | 35 | 1,610 |
| 34 | | 25 | 20 | 22 | 25 | 30 | 35 | 1,930 | |

| Dh4 | 型式 | | L | | | | | ¥基準単価 |
|-----|------|----|----|----|----|-------|-----|-------|
| | Type | d | | | | | | 1~9本 |
| 13 | SGBZ | 8 | 10 | 13 | 16 | 20 | 650 | |
| 16 | | 10 | 10 | 13 | 16 | 20 | 700 | |
| 20 | | 13 | 13 | 16 | 20 | 22 | 760 | |
| 24 | | 16 | 13 | 16 | 20 | 22 | 830 | |
| 28 | | 20 | 16 | 20 | 22 | 25 | 960 | |
| 34 | 25 | 20 | 22 | 25 | 30 | 1,180 | | |

| Dh4 | 型式 | | L | | | | | ¥基準単価 |
|-----|------|----|----|----|----|-------|-------|-------|
| | Type | d | | | | | | 1~9本 |
| 13 | SGHZ | 8 | 10 | 13 | 16 | 20 | 710 | |
| 16 | | 10 | 10 | 13 | 16 | 20 | 790 | |
| 20 | | 13 | 13 | 16 | 20 | 22 | 850 | |
| 24 | | 16 | 13 | 16 | 20 | 22 | 960 | |
| 28 | | 20 | 16 | 20 | 22 | 25 | 1,110 | |
| 34 | 25 | 20 | 22 | 25 | 30 | 1,330 | | |

*MoS₂(二硫化モリブデン)とは、耐摩耗性に優れた特殊固体潤滑剤です。

Order注文例: **SGBH 10 - 16**

Delivery出荷日: 在庫品 翌日出荷 P.37






Alterations追加加工: **SGBA 16 - LC2.0**

Price価格: 数量スライド価格 (1円未満切り捨て) P.37

| 数量 | 1~9 | 10~49 | 50~99 | 100~200 | 表示数量超えは |
|-----|------|-------|-------|---------|------------|
| 値引率 | 標準単価 | 5% | 10% | 15% | 価格・出荷日お見積り |

3 日目発送 | ストックT 1,000円/1本 | ストックA 500円/1本 P.38

☑同一サイズ3本以上は一律1,350円(ストックTは除く)

| Alterations | L寸法変更 | | ロックタイト用溝加工 |
|-------------|---|--|--|
| | Code | LC | |
| Spec. | ●SGBD・SGBA・SGBL  | ●SGBH・SGBT  | ●SGSF・SGBZ  |
| | ●SGBF・SGHZ  | DLG  | |
| ¥/1Code | 200 | 300 | 300 |