

S50C
6F2G
上下2面サファイヤ

GROUND PLATES FOR WEDM

ワイヤーカット用プレート(上下2面研磨)

—標準タイプ・板厚(T)0.01mm指定タイプ—

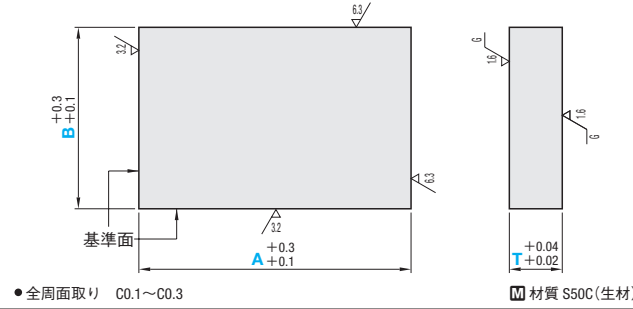


■精度基準
 ●基準面直角度 100mmに対し0.015以下
 ●板厚平行度 100mmに対し0.008以下
 ●平面度 (板厚T) T5.00~10.00 T10.01~20.00 T20.01~40.00 T40.01~50.00
 100mmに対し 0.02 0.015 0.01 0.008



RoHS

S50CWP (標準タイプ)
T-S50CWP (板厚(T)0.01mm指定タイプ)



■S50CWP 標準タイプ ¥基準単価

型式	A	B	T	5	6	8	10	13	15	20	25	30	35	40	50		
S50CWP	20	20	20	1,610	1,570	1,540	1,370	1,380	1,390	1,390	1,400	1,400	1,410	1,420	1,440		
	40			1,640	1,610	1,580	1,390	1,410	1,420	1,440	1,450	1,470	1,480	1,490	1,500	1,530	
	60			1,660	1,630	1,600	1,410	1,430	1,440	1,470	1,480	1,500	1,510	1,510	1,530	1,560	
	80			1,680	1,650	1,620	1,430	1,450	1,460	1,500	1,510	1,530	1,540	1,560	1,590	1,630	
	100			1,690	1,660	1,630	1,440	1,450	1,470	1,520	1,550	1,580	1,610	1,630	1,690	1,730	
	125			1,910	1,870	1,830	1,620	1,640	1,650	1,710	1,740	1,770	1,800	1,830	1,890	1,930	
	150			2,230	2,190	2,140	1,900	1,920	1,940	2,000	2,030	2,060	2,100	2,140	2,190	2,240	
	180			2,690	2,640	2,590	2,300	2,320	2,340	2,420	2,450	2,480	2,520	2,570	2,630	2,690	
	200			2,770	2,720	2,670	2,380	2,400	2,420	2,500	2,600	2,630	2,670	2,720	2,780	2,840	
	40			40	40	1,700	1,670	1,630	1,450	1,460	1,480	1,530	1,570	1,620	1,670	1,720	1,800
	60					1,840	1,800	1,760	1,560	1,580	1,590	1,650	1,700	1,750	1,800	1,860	1,950
	80					1,980	1,940	1,910	1,690	1,700	1,720	1,790	1,840	1,890	1,950	2,010	2,100
	100					2,080	2,020	1,990	1,760	1,780	1,800	1,940	1,990	2,090	2,150	2,210	2,300
	125					2,090	2,040	2,000	1,770	1,790	1,810	1,950	2,040	2,130	2,230	2,340	2,520
	150					2,400	2,350	2,300	2,040	2,060	2,080	2,240	2,340	2,450	2,570	2,690	2,900
	180	2,760	2,700			2,650	2,340	2,370	2,390	2,580	2,690	2,810	2,960	3,100	3,330		
	200	2,810	2,760			2,700	2,390	2,410	2,440	2,690	2,840	2,980	3,160	3,340	3,630		
	250	-	-			-	2,680	2,710	2,740	3,050	3,230	3,420	3,640	3,860	4,220		
	300	-	-			-	2,970	3,000	3,030	3,410	3,630	3,850	4,110	4,370	4,810		
	60	60	60			2,110	2,070	2,030	1,800	1,810	1,830	1,900	1,960	2,010	2,070	2,140	2,240
	80					2,280	2,240	2,190	1,940	1,960	1,980	2,050	2,110	2,170	2,240	2,310	2,420
	100					2,380	2,340	2,290	2,030	2,050	2,070	2,220	2,300	2,400	2,500	2,600	2,800
	125					2,400	2,350	2,300	2,040	2,060	2,080	2,240	2,340	2,450	2,570	2,690	2,900
	150					2,760	2,700	2,650	2,340	2,370	2,390	2,580	2,690	2,810	2,960	3,100	3,330
	180			3,170	3,110	3,050	2,700	2,720	2,750	2,960	3,100	3,230	3,400	3,560	3,830		
	200			3,230	3,170	3,110	2,750	2,780	2,800	3,090	3,260	3,430	3,640	3,840	4,180		
	250			-	-	-	3,090	3,120	3,150	3,510	3,720	3,930	4,180	4,430	4,850		
	300			-	-	-	3,420	3,460	3,490	3,920	4,170	4,430	4,730	5,030	5,530		
	80			80	80	2,620	2,570	2,520	2,230	2,250	2,280	2,360	2,430	2,490	2,440	2,650	2,780
	100					2,720	2,670	2,620	2,330	2,350	2,380	2,460	2,530	2,590	2,540	2,750	2,880
125	2,760					2,700	2,650	2,340	2,370	2,390	2,580	2,690	2,810	2,960	3,100	3,330	
150	3,170					3,110	3,050	2,700	2,720	2,750	2,960	3,100	3,230	3,400	3,560	3,830	
180	3,650					3,570	3,500	3,100	3,130	3,160	3,410	3,560	3,720	3,950	4,100	4,400	
200	3,720					3,640	3,570	3,160	3,190	3,230	3,550	3,750	3,950	4,200	4,420	4,800	
250	-	-	-			3,550	3,580	3,620	4,030	4,270	4,520	4,830	5,100	5,580			
300	-	-	-			3,930	3,970	4,010	4,510	4,800	5,090	5,490	5,780	6,360			
100	100	100	2,990			2,940	2,880	2,560	2,590	2,620	2,710	2,780	2,850	2,790	3,030	3,170	
125			3,040			2,970	2,920	2,570	2,610	2,630	2,840	2,960	3,090	3,040	3,410	3,660	
150			3,490			3,420	3,360	2,970	2,990	3,030	3,260	3,410	3,550	3,490	3,920	4,210	
180			4,020			3,930	3,850	3,410	3,440	3,480	3,750	3,920	4,090	4,020	4,510	4,840	
200			4,090			4,000	3,930	3,480	3,510	3,550	3,910	4,130	4,350	4,260	4,860	5,280	
250			-			-	-	3,910	3,940	3,980	4,430	4,700	4,970	5,300	5,610	6,140	
300			-			-	-	4,050	4,090	4,130	4,850	5,250	5,650	6,130	6,610	7,410	
125			125	125	2,610	2,640	2,670	2,990	3,180	3,360	3,590	3,820	4,100	4,390	4,820		
150					3,010	3,040	3,070	3,440	3,650	3,870	4,130	4,390	4,650	5,050	5,540		
180					3,460	3,490	3,530	3,960	4,200	4,450	4,750	5,050	5,400	5,800	6,300		
200					3,610	3,640	3,680	4,110	4,350	4,600	4,900	5,200	5,500	5,900	6,400		
250					3,980	4,020	4,060	4,750	5,140	5,530	5,990	6,450	7,020	7,590	8,260		
300					4,660	4,710	4,760	5,580	6,040	6,500	7,050	7,610	8,270	8,930	9,690		
150					150	150	3,610	3,640	3,680	4,130	4,380	4,640	4,950	5,270	5,570	5,780	
180							4,150	4,190	4,230	4,750	5,040	5,340	5,700	6,060	6,420	6,800	
200	4,300	4,340					4,380	4,900	5,190	5,490	5,850	6,210	6,570	6,940			
250	4,780	4,830					4,870	5,700	6,170	6,630	7,190	7,740	8,290	8,840			
300	5,590	5,650					5,710	6,690	7,250	7,800	8,460	9,130	9,800	10,470			
180	180	180					4,980	5,030	5,080	5,700	6,050	6,400	6,840	7,270	7,700	7,980	
200							5,130	5,180	5,230	5,850	6,200	6,550	6,990	7,420	7,850	8,130	
250							5,730	5,790	5,850	6,840	7,400	7,960	8,620	9,290	10,000	10,400	
300							6,710	6,780	6,850	8,030	8,700	9,360	10,160	10,950	12,270	12,700	
200			200	200			5,640	5,700	5,750	6,440	6,820	7,210	7,690	8,160	8,640		
250							6,300	6,370	6,440	7,520	8,140	8,760	9,480	10,220	11,440		
300							7,050	7,120	7,190	8,430	9,140	9,830	10,670	11,500	12,880		
250							250	250	6,220	6,280	6,340	7,750	8,520	9,290	10,210	11,140	12,670
300									7,480	7,550	7,630	9,370	10,310	11,260	12,400	13,530	15,420
300									300	300	8,950	9,040	9,130	11,210	12,340	13,460	14,820



Order
注文例

型式 - A - B - T
 S50CWP - 100 - 100 - 25
 T-S50CWP - 250 - 250 - 20.01



Delivery
出荷日

3 日目発送



Price
価格

■数量スライド価格 (●1円未満切り捨て) P.47
 数量 1~4 5~9 10~19 表示数量超えは
 値引率 基準単価 5% 10% 価格・出荷日お見積り



Alterations
追加加工

型式 - A - B - T - (CC・AB・TK)
 T-S50CWP - 250 - 250 - 20.01 - CC0.5

Alterations	標準・板厚(T)0.01mm指定タイプに適用		
	C寸法変更	A・B寸法公差変更	T寸法公差変更
Code	CC	AB	TK
Spec.	全周の面取り寸法を変更します。 CC0 (面取りなし) CC0.5 (C0.5) CC1 (C1)	A・B寸法の公差を変更します。 Code A・B公差 AB1 ±0.2 AB2 ±0.3 (規格公差) AB3 ±0.1 AB4 -0.2 AB5 -0.3	T寸法の公差を変更します。 Code T公差 TK1 ±0.10 TK2 ±0.08 (規格公差) TK3 ±0.2 TK4 ±0.01 TK5 -0.02
¥/1Code	0	0	0

■T-S50CWP 板厚(T)0.01mm指定タイプ ¥基準単価

型式	A	B	T	5.00~6.00	6.01~8.00	8.01~10.00	10.01~20.00	20.01~30.00	30.01~40.00	40.01~50.00		
T-S50CWP	20	20	20	1,930	1,850	1,640	1,670	1,680	1,700	1,730		
	40			1,970	1,900	1,670	1,730	1,760	1,800	1,840		
	60			1,990	1,920	1,690	1,760	1,800	1,840	1,870		
	80			2,020	1,940	1,720	1,800	1,840	1,870	1,910		
	100			2,030	1,960	1,730	1,820	1,900	1,960	2,030		
	125			2,290	2,200	1,940	2,050	2,120	2,200	2,270		
	150			2,680	2,570	2,280	2,400	2,470	2,570	2,630		
	180			3,230	3,110	2,760	2,900	2,980	3,080	3,160		
	200			3,320	3,200	2,860	3,000	3,160	3,260	3,340		
	40			40	40	2,040	1,960	1,740	1,840	1,940	2,060	2,160
	60					2,210	2,110	1,870	1,980	2,100	2,230	2,340
	80					2,380	2,290	2,030	2,150	2,270	2,410	2,520
	100					2,500	2,390	2,110	2,330	2,510	2,650	2,760
	125					2,510	2,400	2,120	2,340	2,560	2,810	3,020
	150					2,880	2,760	2,450	2,690	2,940	3,230	3,480
	180	3,310	3,180			2,810	3,100	3,370	3,720	4,000		
	200	3,370	3,240			2,870	3,230	3,580	4,010	4,360		
	250	-	-			3,220	3,660	4,100	4,630	5,060		
	300	-	-			3,560	4,090	4,620	5,240	5,770		
	60	60	60			2,530	2,440	2,160	2,280	2,410	2,570	2,690
	80					2,740	2,630	2,330	2,460	2,600	2,770	2,900
	100					2,860	2,750	2,440	2,660	2,880	3,120	