

フランジ一体型無給油ブッシュ

—銅合金標準フランジ内径F7タイプ・内径G6タイプ—

CADデータフォルダ名: 06_Oil_Free_Bushings

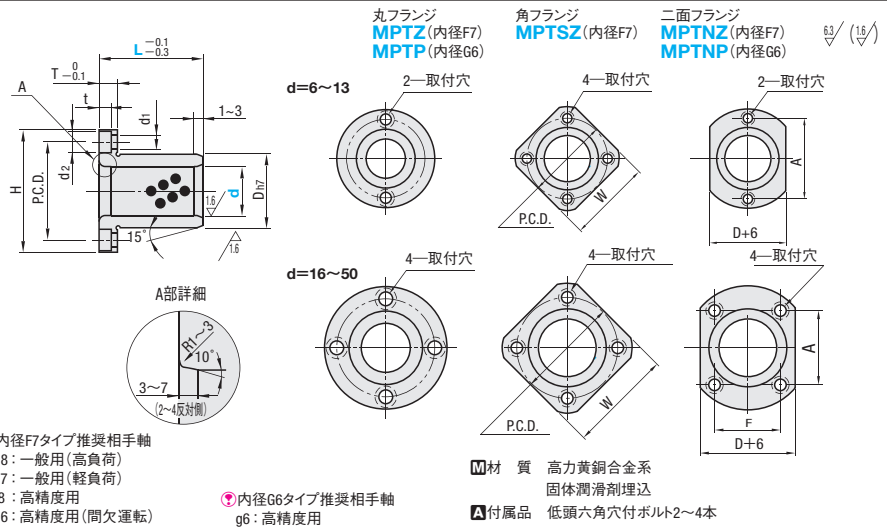
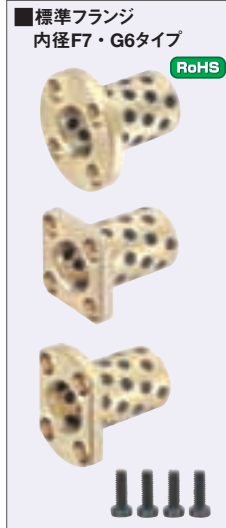


Table with columns for Type, df7, L, Dh7, H, T, t, d1, d2, P.C.D., W, F, A, and 付属品. Lists specifications for standard flange bushings with inner diameters F7 and G6.

Table with columns for Type, dg6, L, Dh7, H, T, t, d1, d2, P.C.D., F, A, and 付属品. Lists specifications for standard flange bushings with inner diameters F7 and G6.

Price table for MPTZ, MPTSZ, MPTNP, and MPTP bushings, including quantity discounts and delivery options.

Price table for MPTZ, MPTSZ, MPTNP, and MPTP bushings, including quantity discounts and delivery options.

Price table for MPTP and MPTNP bushings, including quantity discounts and delivery options.

フランジ一体型無給油ブッシュ/無給油銅合金ワッシャ

—銅合金インローフランジ・センターフランジタイプ— —皿ボルト・低頭ボルトタイプ—

CADデータフォルダ名: 06_Oil_Free_Bushings

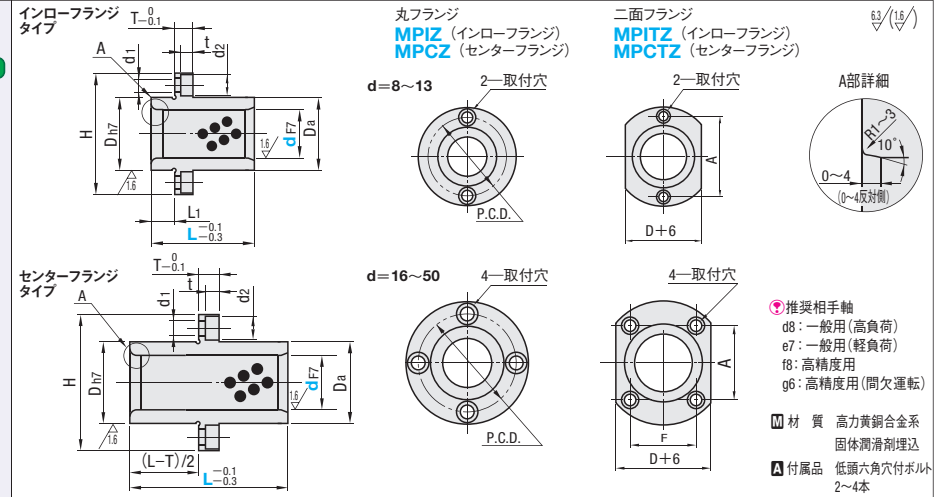
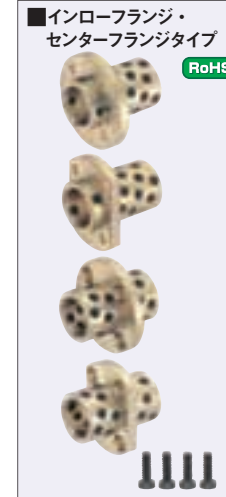


Table with columns for Type, df7, L, Dh7, Da, L1, H, T, t, d1, d2, P.C.D., F, A, and 付属品. Lists specifications for In-Low Flange and Center Flange bushings.

Table with columns for d-L, ¥基準単価, and 型式. Lists prices and part numbers for In-Low Flange and Center Flange bushings.

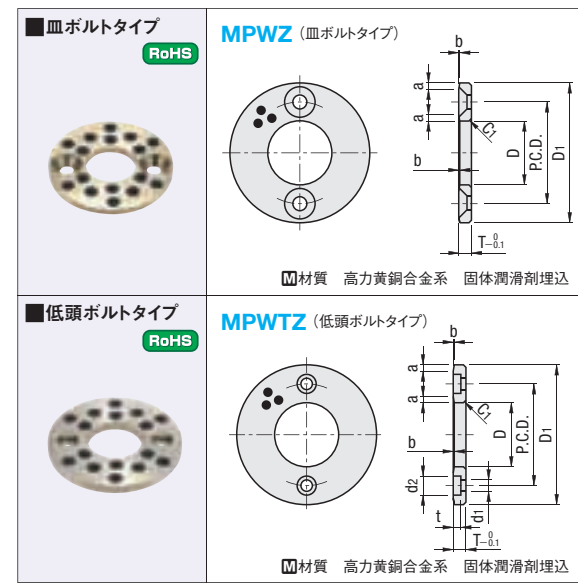


Table with columns for Type, No., T, 許容差, D, 許容差, D1, P.C.D., 取付穴, and ¥基準単価. Lists specifications and prices for MPWZ and MPWTZ washers.

Price table for MPWZ and MPWTZ washers, including quantity discounts and delivery options.

⑥ 無給油ブッシュ