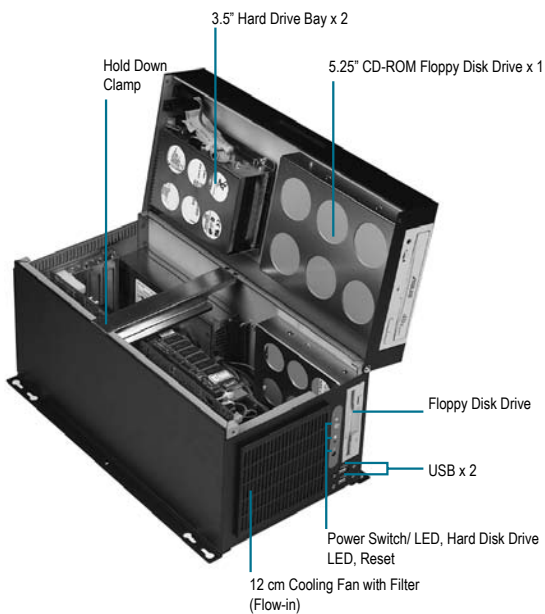
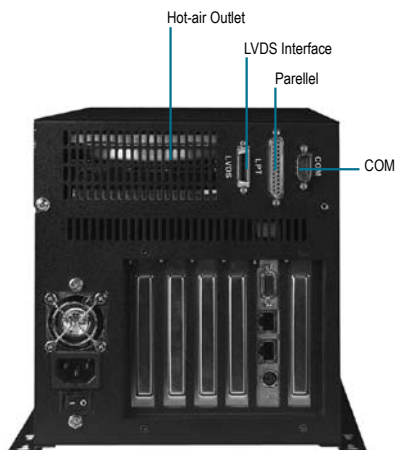


■ 6-Slot Wallmount Chassis, Full-Size/ Half-Size CPU Cards Support



Features

- High Performance Full-Size CPU Cards And 6-Slot PICMG Bus Passive Backplanes
- Wallmount Or Desktop Applications
- Front Accessible 5.25" CD-ROM x 1, 3.5" Floppy Disk Drive x 1, And Internal 3.5" Hard Disk Drive x 2
- Easy-To-Replace Ball Bearing Cooling Fan With Filter x 1 For Card Area
- Card Hold-Down Bar x 1



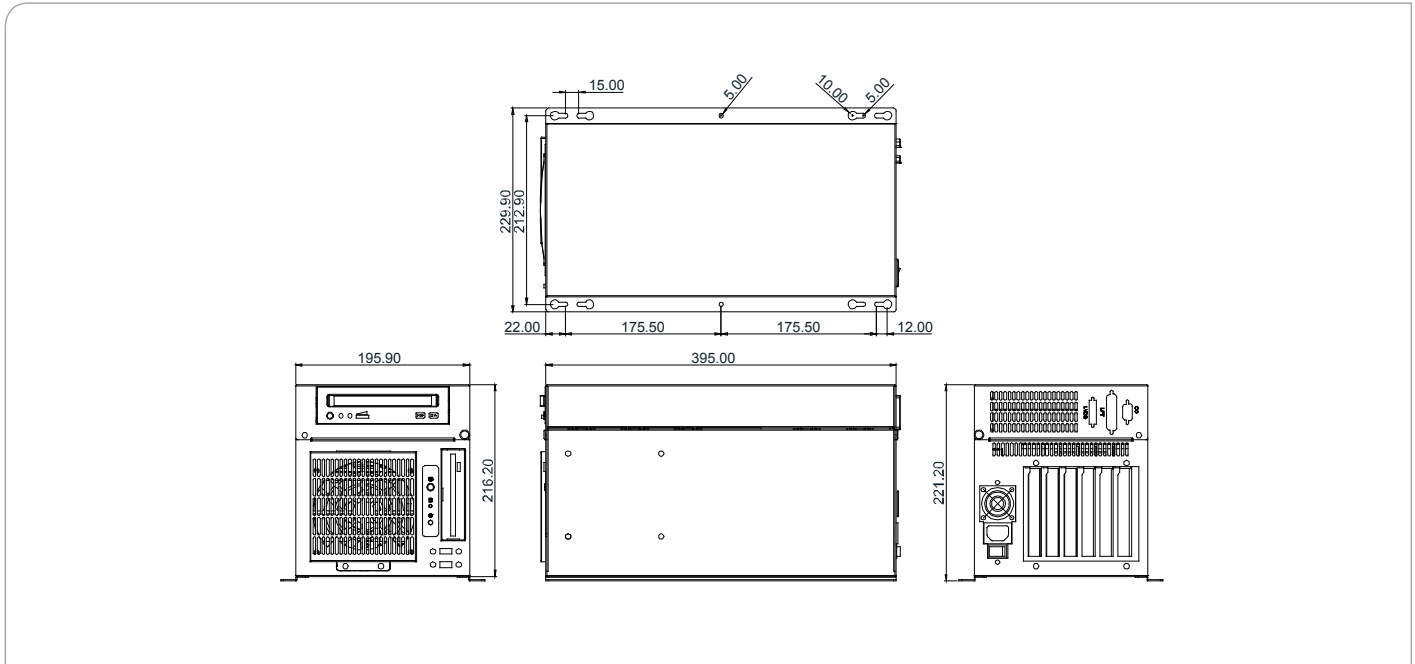
Specifications

System	
Construction	Heavy-duty Steel
Storage	External: 5.25" CD-ROM x 1 (Front Accessible) 3.5" Floppy Disk Drive x 1 (Front Accessible) Internal: 3.5" Hard Disk Drive x 2
System Fan	12cm Ball Bearing Fan with Removable Filter (Flow-in) x 1
Front Panel	Power On/ Off Switch with LED x 1 Reset Button x 1 Hard Disk Drive Active LED x 1 USB x 2
Rear Panel	COM x 1 Parallel x 1 Reserved Cut-out for LVDS Connector x 1
Color	Black
Dimension	7.7" (W) x 15.55" (D) x 8.5" (H) (195.9mm x 395mm x 216.2mm)
Carton Size	12.2" (W) x 13.2" (D) x 20" (H) (310mm x 335mm x 510mm)
Net Weight	17 lb (7.8 kg)
Gross Weight	20 lb (9.2 kg)
Environmental	
Operating Temperature	32°F ~ 122°F (0°C ~ 50°C)
Storage Temperature	32°F ~ 167°F (0°C ~ 75°C)
Operating Humidity	5 ~ 95%
Storage Humidity	5 ~ 95% @ 40°C, non-condensing
Vibration	1G/ 5 ~ 500 Hz/ random operation
Shock	15G peak acceleration (11 msec. duration)
EMC	CE/FCC class A

AEC-206

Dimension

Unit: mm



Power Supply Options

P/N	TYPE	PFC Support	Input Voltage	Watt	Size
TF-PW-H150-A-00	ATX	Active PFC	Auto 115-230V	150W	1U (18.5cm)
TF-PW-H200-A-00	ATX	Active PFC	Auto 115-230V	200W	1U (20.5cm)
TF-PW-H300-A-00	ATX	Active PFC	Auto 115-230V	300W	1U (20.5cm)

Passive Backplane Options

P/N	Description	Master Interface	Slots	Power Connector, ATX Extend Function
TF-BP-2065G-P4	Wallmount, PICMG, 6-Slot Backplane, 4 PCI, 2 ISA, Single Segment, ATX	PICMG	4/2/2 (PCI/ISA/PICMG)	AT, ATX, 3-pin ATX extend
TF-BP-2065S-P4	Wallmount, PCISA, 6-Slot Backplane, 4 PCI, 3 PCISA, Single Segment, ATX	PCISA	4/0/3 (PCI/ISA/PCISA)	ATX, 3-pin ATX extend
TF-BP-2065H-P3	Wallmount, Backplane, PICMG 1.3, 6-Slot, 3 PCI, 2 PCI-E, Single segment, ATX	PICMG 1.3	3/2/1 (PCI/PCI-E/PICMG 1.3)	ATX
TF-BP-2065I	Wallmount, ISA 6-Slot Backplane, 6 ISA, Single segment, AT/ATX	ISA	(0/6/0)	AT/ATX

CPU Cards Options

Model/Name	Description	Master Interface
TF-FSB-960H	Socket LGA 775, Intel® Core™ 2 Duo/ Core™ 2 Quad (800/1066/1333)	PICMG 1.3
TF-FSB-860B	Socket 478 P4/ Celeron® (400/533 MHz)	PICMG
TF-FSB-865G	Socket 478 P4/ Celeron® (400/533/800 MHz)	PICMG
TF-FSB-866G	Socket LGA 775 P4/ Celeron® D (533/800 MHz)	PICMG
TF-FSB-868G	Socket LGA 775 P4/ P-D/ Celeron® D/ Core™ 2 Duo (533/800/1066 MHz)	PICMG
TF-HSB-965P	Socket 478, Core™ 2 Duo (533/667/800 MHz)	PCI
TF-HSB-945P	Onboard Intel® N270 1.6 GHz	PCI
TF-HSB-811P	Onboard Celeron® M (600 MHz); Socket 479 P-M (1.2 GHz)/ Celeron® M (900 MHz)	PCI
TF-HSB-800P	Onboard Intel® AMD LX 800 Processor	PCI
TF-HSB-910I	Onboard Celeron® M (600 MHz)(400 MHz)	ISA
TF-HSB-800I	Onboard Intel® AMD LX 800 Processor	ISA
TF-HSB-668I	Onboard VIA CoreFusion 533 MHz CPU	ISA
TF-HSB-813S	Socket 479 P-M (2.0 GHz)/ Celeron® M (900 MHz)	PCISA

Ordering Information

Model/Name	Description	Remark
TF-AEC-206-B	Wallmount, 6-Slot Chassis Bare for 1U Power, PS_SW (AT/ATX), Black	