

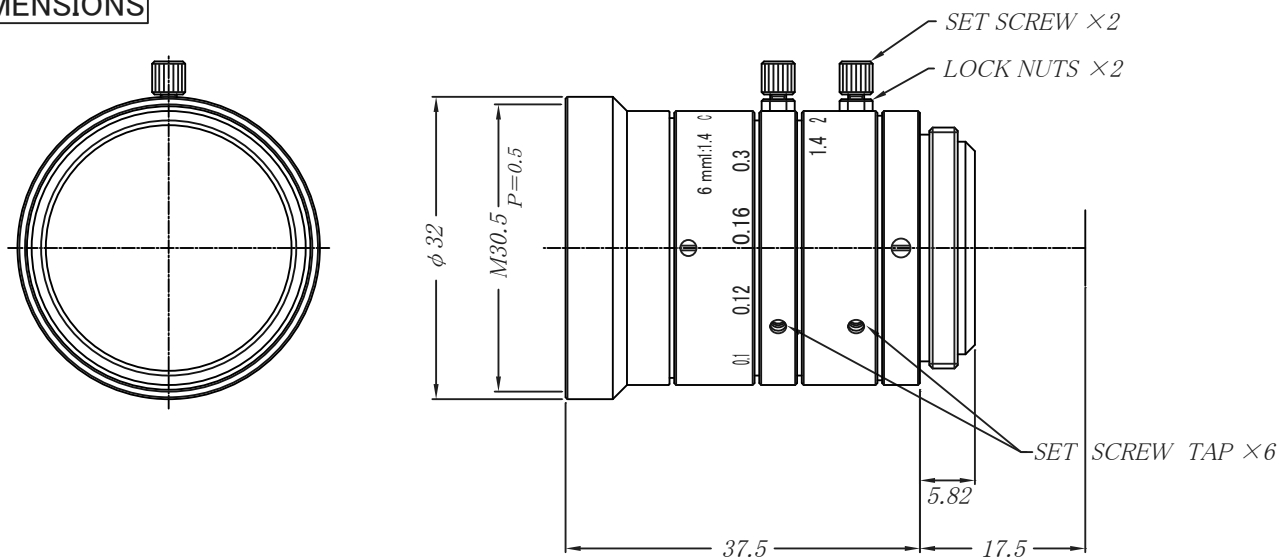
EMVL-MP614

FIXED FOCAL (MACHINE VISION) 1/2" 6 mm 1.4 C

SPECIFICATIONS

1 Focal Length	-----	6.0 mm
2 Relative Aperture	-----	1.4
3 Image Format	-----	1/2" ϕ 8 (6.4 X 4.8mm)
4 Angular Field of View	-----	69° (57.4° × 44.3°)
5 M.O.D.	-----	0.2 m
6 Object Area at M.O.D.	-----	176 X 130 mm
7 Back Focal Length	-----	12.32 mm
8 Exit Pupil	-----	-21.80 mm
9 Mount Type	-----	"C" MOUNT
10 Iris System	-----	MANUAL 1.4 ~ 16
11 TV Distortion	-----	-0.96%
12 Vignetting	-----	-52%
13 Weight	-----	65g

DIMENSIONS



MAGNIFICATION

() : 14" MONITOR TV

O/I = 500mm : -0.01309X (0.58X)	O/I = 240mm : -0.03025X (1.34X)
O/I = 320mm : -0.02155X (0.96X)	O/I = 200mm : -0.03790X (1.68X)
O/I = 280mm : -0.02517X (1.19X)	O/I = 160mm : -0.05074X (2.26X)