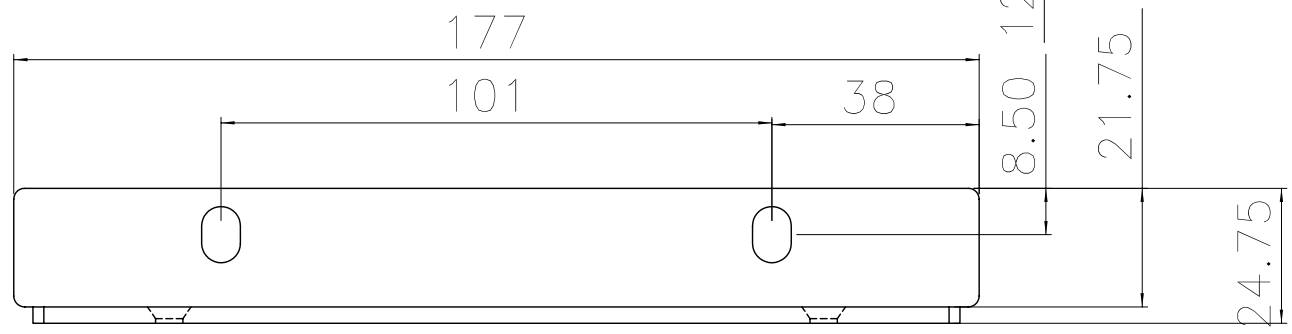
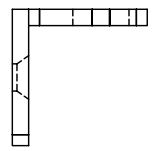
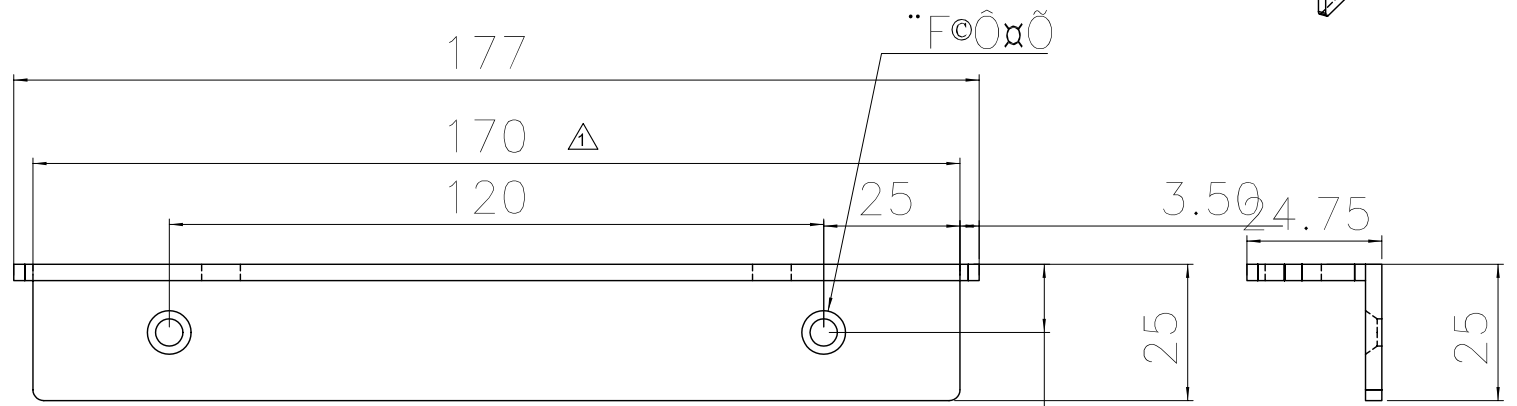
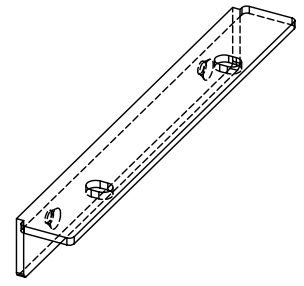
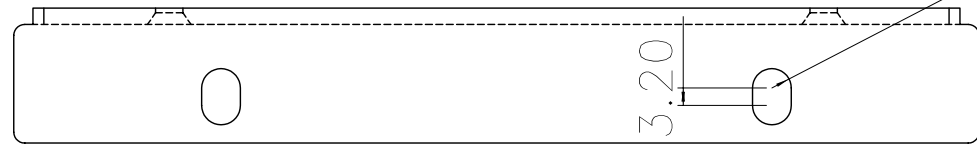


R3.55



Ver : 1

4					
3					
2					
1					
Mark	Description	ECO No.	Date	Sign	

Portwell Inc.
 3F, NO.88, Sec.1, Nei-Hu . Rd., Taipei, Taiwan, R.O.C
 Tel: +886-2-27992020 Fax: +886-2-27991010

DRG. NO.	MODEL	MATERIAL	FINISH	TITLE	DWG. NO.	PARTS NO.	APPROVED.	DRAWN	DATE	Q'TY	SCALE	UNIT
D-06				L型固定片	B7281831	B7281831			12/25/06		1=1	mm.
D-30				AREMO-4185								
30-60				SPCC.3.0T.								
30-180				Pantone 877C.								
30-315												
310-800												

圖面與實際零件尺寸不同，依照模具品修改尺寸

0041856CB 12/25 Celeste

A B C D E F A3