

Changes related to Motorized Rotary Stage renewal

From July 1, 2024, the following changes will be made due to the renewal of some Motorized Rotary Stage.

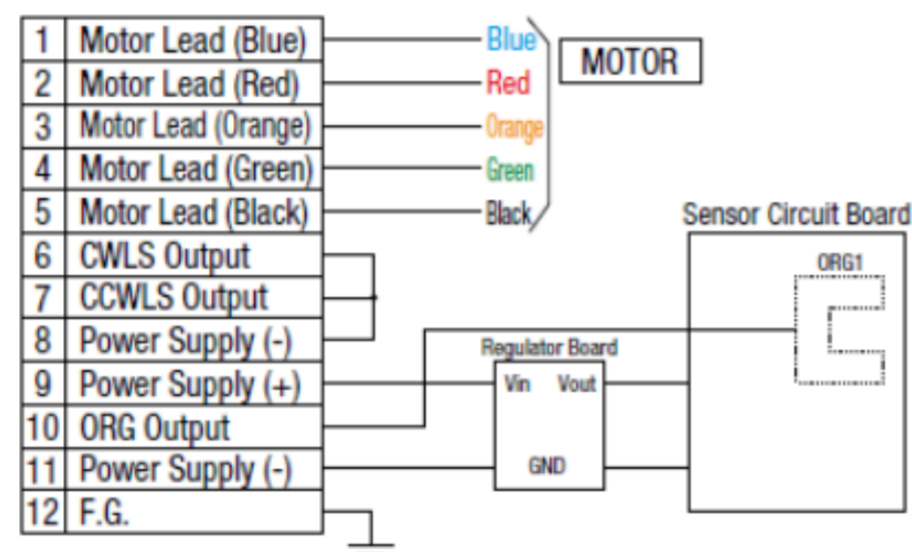
<Changes 1: Improvement of sensor board>

Added power supply reverse current protection and overcurrent protection functions.

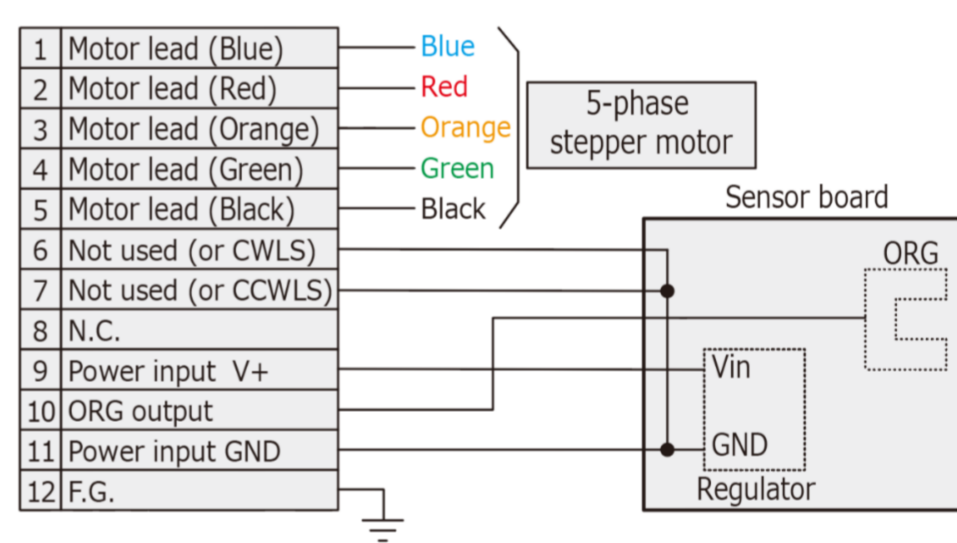
Power Supply Voltage Before : DC5~24V \pm 10% After : **DC5~24V \pm 5%**
 Control Output Before : DC5~24V 8mA or less After : **DC30V or less 10mA or less**

<Changes 2: Wire Diagram>

Before :



After :



Please check each product page for details.

No.	Product Name	TYPE	Part Number
1	Motorized Rotary Stage Worm Gear, Size 40-60 mm Diameter, RMPG Series	RMPG	RMPG40W-N
2			RMPG60WC-N
3			RMPG60ZC-N